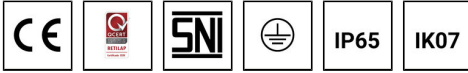


**MIC 9 (MI-50461)**



**Product description**

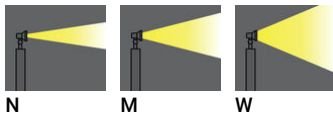
Large



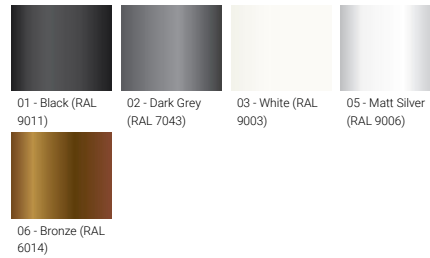
**Luminaire Structure**

- Die-cast aluminium housing pre-treated before powder coating ensuring high corrosion resistance
- Single cable entry
- Stainless steel fasteners in grade 316
- Durable silicone rubber gasket
- High-efficiency PMMA lens
- Clear toughened glass
- Integral control gear installed in the spigot cover

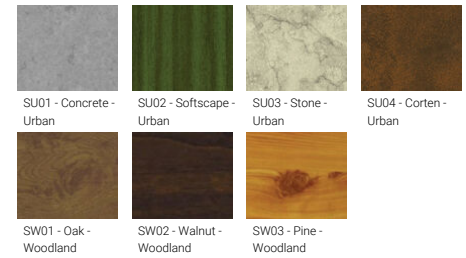
**Optic**



**Product colour**



**Special finishes upon request**

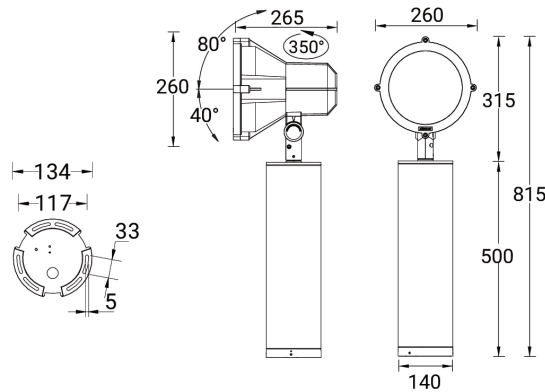


**MIC 9 (MI-50461)**

**Technical information**

<b>Material</b>	Aluminium	<b>Optic</b>	N, M, W	<b>Lens / Reflector / Optic</b>	High-efficiency PMMA lens, Clear toughened glass	
<b>Light source</b>	24 LED	<b>Optic value</b>	15°, 26°, 44°	<b>MacAdam Ellipse</b>	3 SDCM	
<b>Power</b>	38 W	<b>CCT / CRI</b>	3000K CRI80, 4000K CRI80	<b>Lifetime L90B10 (hours)</b>	> 120,000	
<b>Lumen</b>	3691 - 4272 lm	<b>Dimming type</b>	On/Off, 1-10V, DALI	<b>Lifetime L80B10 (hours)</b>	> 120,000	
<b>Efficacy</b>	97 - 112 lm/W	<b>Product colours</b>	Black, Dark Grey, White, Matt Silver, Bronze, Concrete - Urban, Softscape - Urban, Stone - Urban, Corten - Urban, Oak - Woodland, Walnut - Woodland, Pine - Woodland	<b>Lifetime L80B50 (hours)</b>	> 120,000	
<b>Driver option</b>	Integral control gear			<b>Variants (1-10V, DALI)</b>	Compatible with EN/ IEC 60598-2-22: Suitable for emergency installations as central supply, non-maintained (Z0)	
<b>Driver</b>	Constant current (CC)					
<b>Input voltage</b>	220-240 V 50/60 Hz					
		<b>Weight</b>	6.8 kg			
		<b>Operating temperature</b>	-20 °C to 40 °C			
		<b>Through wiring</b>	Single cable entry			

MI-50461



**Accessories**



Anti-glare visor  
**A50331**



Anti-glare hood  
**A51731**

Please contact the factory for technical details if you wish to use Anti-glare accessories, Colour filters, Lenses and slip glasses in combination.