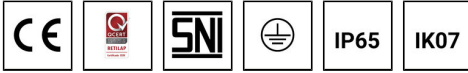


MIC 9 (MI-50463)



Product description

Large



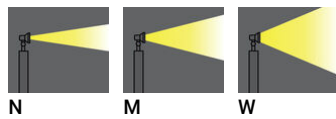
Luminaire Structure

- Die-cast aluminium housing pre-treated before powder coating ensuring high corrosion resistance
- Single cable entry
- Stainless steel fasteners in grade 316

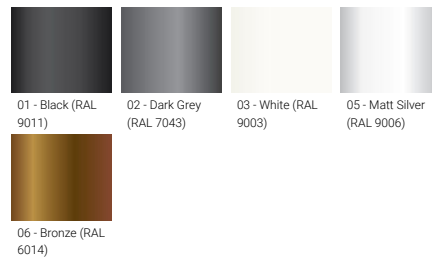
- Durable silicone rubber gasket
- High-efficiency PMMA lens
- Clear toughened glass

- Integral control gear installed in the spigot cover

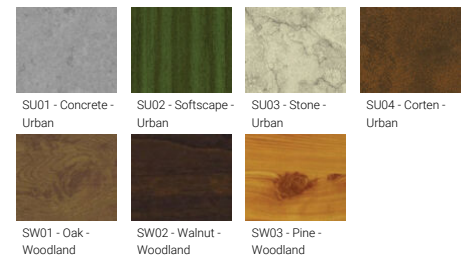
Optic



Product colour



Special finishes upon request



MIC 9 (MI-50463)

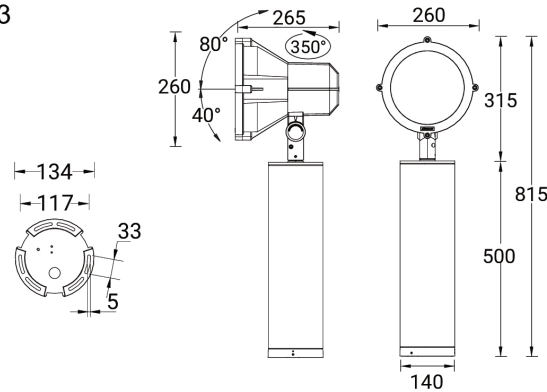
Technical information

Material	Aluminium
Light source	36 LED
Power	51 W
Lumen	5405 - 6140 lm
Efficacy	106 - 120 lm/W
Driver option	Integral control gear
Driver	Constant current (CC)
Input voltage	220-240 V 50/60 Hz

Optic	N, M, W
Optic value	16°, 26°, 41°
CCT / CRI	3000K CRI80, 4000K CRI80
Dimming type	On/Off, 1-10V, DALI
Product colours	Black, Dark Grey, White, Matt Silver, Bronze, Concrete - Urban, Softscape - Urban, Stone - Urban, Corten - Urban, Oak - Woodland, Walnut - Woodland, Pine - Woodland
Weight	7.0 kg
Operating temperature	-20 °C to 40 °C
Through wiring	Single cable entry

Lens / Reflector / Optic	High-efficiency PMMA lens, Clear toughened glass
MacAdam Ellipse	3 SDCM
Lifetime L90B10 (hours)	> 120,000
Lifetime L80B10 (hours)	> 120,000
Lifetime L80B50 (hours)	> 120,000
Variants (On/Off, 1-10V, DALI)	Compatible with EN/ IEC 60598-2-22: Suitable for emergency installations as central supply, non-maintained (Z0)

MI-50463



Accessories



Anti-glare visor
A50331



Anti-glare hood
A51731

Please contact the factory for technical details if you wish to use Anti-glare accessories, Colour filters, Lenses and slip glasses in combination.