

**MARTINI 33 (MN-91271)**



**Product description**

2 sides

microVos microPrim™

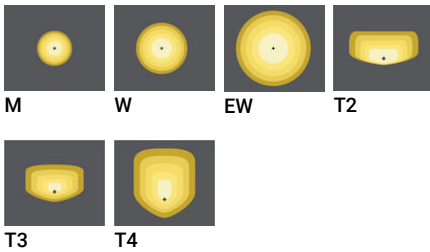
**Luminaire Structure**

- Die-cast aluminium housing
- Pre-treated before powder coating ensuring high corrosion resistance
- Single cable entry
- One cable gland supplied with 0.5 m of 3x1.0 sqmm outdoor cable

- Stainless steel fasteners in grade 304 with zinc flake coating (ZFC)
- Durable silicone rubber gasket
- Clear toughened glass
- Integral control gear

- Surge protection 10kV

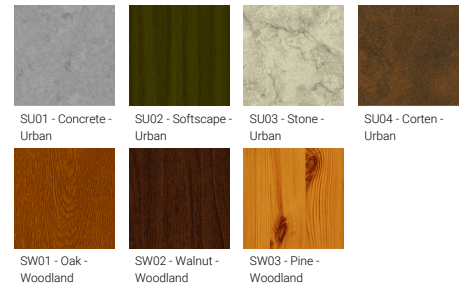
**Optic**



**Product colour**



**Special finishes upon request**



**MARTINI 33 (MN-91271)**

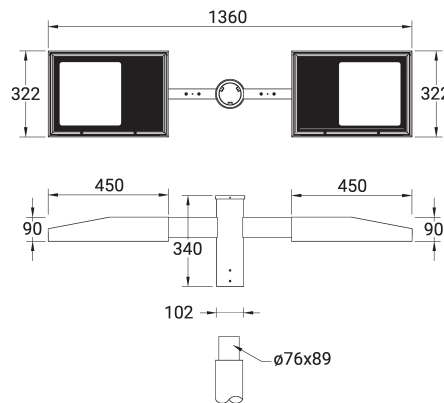
**Technical information**

|                      |                       |
|----------------------|-----------------------|
| <b>Material</b>      | Aluminium             |
| <b>Light source</b>  | 2 x 24 LED            |
| <b>Power</b>         | 76 W                  |
| <b>Lumen</b>         | 8520 - 9834 lm        |
| <b>Efficacy</b>      | 112 - 129 lm/W        |
| <b>Driver option</b> | Integral control gear |
| <b>Driver</b>        | Constant current (CC) |
| <b>Input voltage</b> | 220-240 V 50/60 Hz    |
| <b>Optic</b>         | M, W, EW, T2, T3, T4  |

|                          |  |
|--------------------------|--|
| <b>Optic value</b>       | 30°, 52°, 108°, 144°x47°,<br>140°x71°, 100°x81°  |
| <b>CCT / CRI</b>         | 3000K CRI80, 4000K CRI80   |
| <b>Bug</b>               | B1-U0-G1, B2-U0-G0, B3-U0-G0   |
| <b>ULR</b>               | <1%  |
| <b>ULOR</b>              | <1%  |
| <b>CIE flux code n°3</b> | 97, 99   |
| <b>Dimming type</b>      | On/Off, 1-10V, DALI  |
| <b>Product colours</b>   | Black, Dark Grey, White, Matt Silver, Bronze, Concrete - Urban, Softscape - Urban, Stone - Urban, Corten - Urban, Oak - Woodland, Walnut - Woodland, Pine - Woodland |
| <b>Weight</b>            | 26.6 kg  |

|                                 |   |
|---------------------------------|---|
| <b>Operating temperature</b>    | -20 °C to 40 °C   |
| <b>Cable</b>                    | One cable gland supplied with 0.5 m of 3x1.0 sqmm outdoor cable   |
| <b>Through wiring</b>           | Single cable entry  |
| <b>Lens / Reflector / Optic</b> | Clear toughened glass   |
| <b>MacAdam Ellipse</b>          | 3 SDCM  |
| <b>Lifetime L90B10 (hours)</b>  | > 90,000  |
| <b>Lifetime L80B10 (hours)</b>  | > 90,000  |
| <b>Lifetime L80B50 (hours)</b>  | > 90,000  |
| <b>Variants (1-10V, DALI)</b>   | Compatible with EN/ IEC 60598-2-22: Suitable for emergency installations as central supply, non-maintained (Z0) |

MA-91271



**MARTINI 33** (MN-91271)

**Accessory**

---



DALI Control System  
**Control-DALI**

---