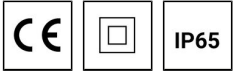


**MUNICH 1 (MUN-80001)****Product description**

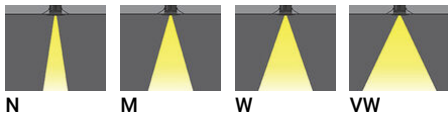
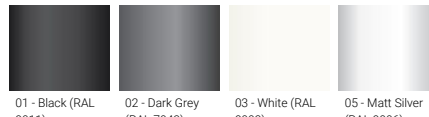
With remote driver

**Luminaire Structure**

- Die-cast aluminium housing and frame
- Pre-treated before powder coating ensuring high corrosion resistance
- Single cable entry
- Stainless steel fasteners in grade 316

- Durable silicone rubber gasket
- Clear toughened glass
- Remote driver (included)
- Fire Rated 30 or 60 minutes

- 0dB Acoustic Rated

**Optic****N****M****W****VW****Product colour**

01 - Black (RAL 9011)

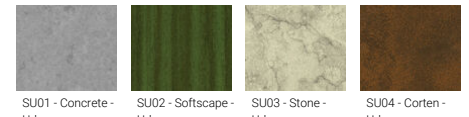
02 - Dark Grey (RAL 7043)

03 - White (RAL 9003)

05 - Matt Silver (RAL 9006)



06 - Bronze (RAL 6014)

**Special finishes upon request**

SU01 - Concrete - Urban

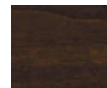
SU02 - Softscape - Urban

SU03 - Stone - Urban

SU04 - Corten - Urban



SW01 - Oak - Woodland



SW02 - Walnut - Woodland



SW03 - Pine - Woodland

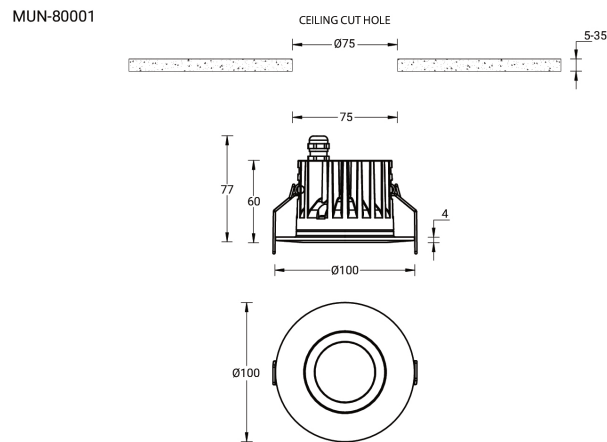
**MUNICH 1 (MUN-80001)**

**Technical information**

<b>Material</b>	Aluminium
<b>Light source</b>	7 LED (N,M), 1 LED (W, VW)
<b>Power</b>	12 W
<b>Lumen</b>	509 - 1038 lm
<b>Efficacy</b>	46 - 87 lm/W
<b>Driver option</b>	Remote driver (included)
<b>Driver</b>	Constant current (CC)
<b>Input voltage</b>	500 mA, 21 VDC

<b>Optic</b>	N, M, W, VW
<b>Optic value</b>	14°, 25°, 34°, 60°
<b>CCT / CRI</b>	3000K CRI80, 4000K CRI80
<b>Dimming type</b>	On/Off, 1-10V, DALI
<b>Product colours</b>	Black, Dark Grey, White, Matt Silver, Bronze, Concrete - Urban, Softscape - Urban, Stone - Urban, Corten - Urban, Oak - Woodland, Walnut - Woodland, Pine - Woodland
<b>Weight</b>	0.40 kg
<b>Operating temperature</b>	-20 °C to 40 °C
<b>Through wiring</b>	Single cable entry

<b>Lens / Reflector / Optic</b>	Clear toughened glass
<b>MacAdam Ellipse</b>	3 SDCM
<b>Lifetime L90B10 (hours)</b>	> 109,000, 120,000
<b>Lifetime L80B10 (hours)</b>	> 109,000, 120,000
<b>Lifetime L80B50 (hours)</b>	> 109,000, 120,000
<b>Variants (1-10V, DALI)</b>	Compatible with EN/ IEC 60598-2-22: Suitable for emergency installations as central supply, non-maintained (Z0)



**Accessories**



DALI Control System  
Control-DALI