

MARVIK 1 (MV-30001) (Version 2)



Product description

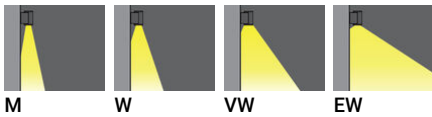
Ø75 - 200 mm - Down



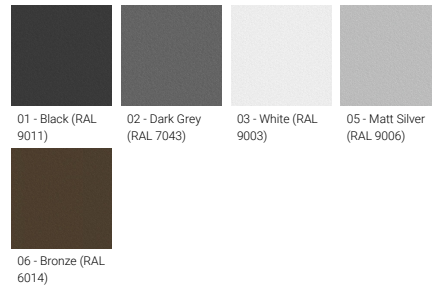
Luminaire Structure

- Die-cast aluminium housing and frame
- Pre-treated before powder coating ensuring high corrosion resistance
- Single cable entry
- Stainless steel fasteners in grade 304 with zinc flake coating (ZFC)
- Durable silicone rubber gasket
- High-efficiency optical reflector
- Clear toughened glass
- Integral control gear
- Optional surface mounting box for easy wiring or conduit connection when wiring from behind is not possible
- MARVIK luminaires with uplight and colder than 3000K CCT do not meet the IDA certification requirements

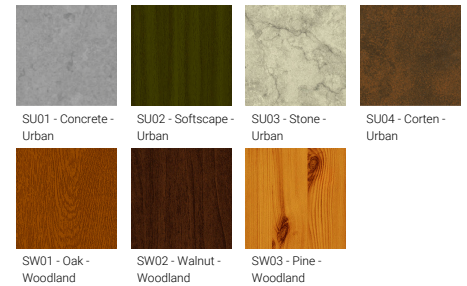
Optic



Product colour



Special finishes upon request

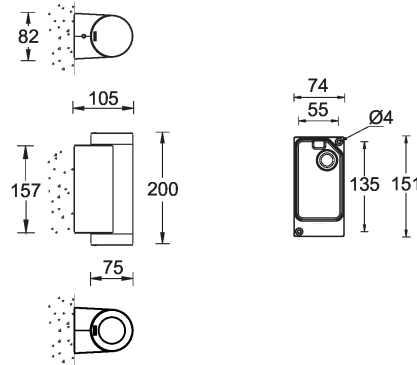


MARVIK 1 (MV-30001) (Version 2)

Technical information

Material	Aluminium	Optic	M, W, VW, EW	Product colours	Black, Dark Grey, White, Matt Silver, Bronze, Concrete - Urban, Softscape - Urban, Stone - Urban, Corten - Urban, Oak - Woodland, Walnut - Woodland, Pine - Woodland
Light source	1 COB	Optic value	27°, 32°, 45°, 70°	Weight	1.6 kg
Power	10 W	CCT / CRI	2700K CRI80, 3000K CRI80, 4000K CRI80	Operating temperature	-20 °C to 40 °C
Lumen	999 - 1139 lm	Bug	B1-U0-G0	Through wiring	Single cable entry
Efficacy	100 - 114 lm/W	ULR	<1%	Lens / Reflector / Optic	High-efficiency optical reflector, Clear toughened glass
Driver option	Integral control gear	ULOR	<1%	MacAdam Ellipse	3 SDCM
Driver	Constant current (CC)	CIE flux code n°3	100, 99	Lifetime L90B10 (hours)	> 61,000
Input voltage	220-240 V 50/60 Hz	Dimming type	On/Off, 1-10V, DALI	Variants (On/Off, 1-10V, DALI)	Compatible with EN/ IEC 60598-2-22: Suitable for emergency installations as central supply, non-maintained (Z0)

MV-30001



MARVIK 1 (MV-30001) (Version 2)**Accessory**



Surface mounting box for easy
cabling (MARVIK 1)
SCE-MARVIK-1



DALI Control System
Control-DALI
