

MARVIK 6 (MV-30051)



Product description

Ø150 - 240 mm - Down (Optic) & Up (Optic 2nd)



Luminaire Structure

- Die-cast aluminium housing and frame
- Pre-treated before powder coating ensuring high corrosion resistance
- Single cable entry
- Stainless steel fasteners in grade 304 with zinc flake coating (ZFC)

- Durable silicone rubber gasket
- High-efficiency optical reflector
- Clear toughened glass
- Integral control gear

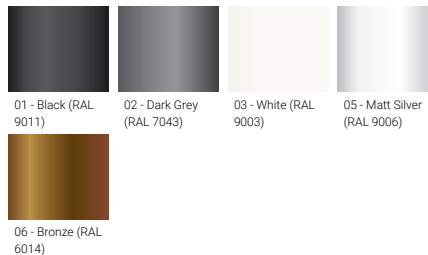
- Optional surface mounting box for easy wiring or conduit connection when wiring from behind is not possible
- MARVIK luminaires with uplight and colder than 3000K CCT do not meet the IDA certification requirements

Optic

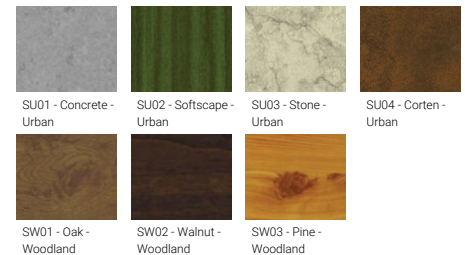


VW / VW

Product colour



Special finishes upon request



MARVIK 6 (MV-30051)

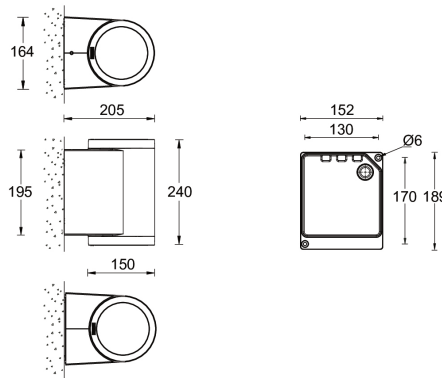
Technical information

Material	Aluminium
Light source	1 & 1 COB
Power	53 W
Lumen	5890 - 6896 lm
Efficacy	109 - 128 lm/W
Driver option	Integral control gear
Driver	Constant current (CC)
Input voltage	220-240 V 50/60 Hz
Optic	N, M, W, VW
Optic value	16°, 28°, 44°, 68°

Optic (2nd)	N, M, W, VW
Optic (2nd) value	16°, 28°, 44°, 68°
CCT / CRI	3000K CRI80, 4000K CRI80
Bug	B2-U5-G0, B3-U5-G0
ULR	47%, 48%, 49%, 50%, 51%, 52%
ULOR	47%, 48%, 49, 49%, 50%, 51%, 52%
CIE flux code n°3	100, 99
Dimming type	On/Off, 1-10V, DALI
Product colours	Black, Dark Grey, White, Matt Silver, Bronze, Concrete - Urban, Softscape - Urban, Stone - Urban, Corten - Urban, Oak - Woodland, Walnut - Woodland, Pine - Woodland
Weight	4.6 kg

Operating temperature	-20 °C to 40 °C
Through wiring	Single cable entry
Lens / Reflector / Optic	High-efficiency optical reflector, Clear toughened glass
MacAdam Ellipse	3 SDCM
Lifetime L90B10 (hours)	> 50,700
Lifetime L80B10 (hours)	> 63,500
Lifetime L80B50 (hours)	> 63,500
Variants (1-10V, DALI)	Compatible with EN/ IEC 60598-2-22: Suitable for emergency installations as central supply, non-maintained (Z0)

MV-30051



Accessories



Surface mounting box for easy cabling (MARVIK 6)
SCE-MARVIK-6



DALI Control System
Control-DALI