

**MARVIK 6 (MV-30052)**



**Product description**

Ø150 - 240 mm - Down (Optic) & Up (Optic 2nd)



microVOS™  
TECHNOLOGY



**Luminaire Structure**

- Die-cast aluminium housing and frame
- Pre-treated before powder coating ensuring high corrosion resistance
- Single cable entry
- Stainless steel fasteners in grade 304 with zinc flake coating (ZFC)

- Durable silicone rubber gasket
- Clear toughened glass
- Integral control gear
- Optional surface mounting box for easy wiring or conduit connection when wiring from behind is not possible

- MARVIK luminaires with uplight and colder than 3000K CCT do not meet the IDA certification requirements

**Optic**



SCL / W

**Product colour**

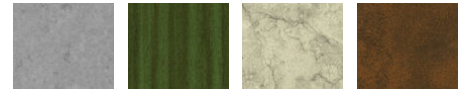


01 - Black (RAL 9011)    02 - Dark Grey (RAL 7043)    03 - White (RAL 9003)    05 - Matt Silver (RAL 9006)

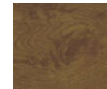


06 - Bronze (RAL 6014)

**Special finishes upon request**



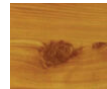
SU01 - Concrete - Urban    SU02 - Softscape - Urban    SU03 - Stone - Urban    SU04 - Corten - Urban



SW01 - Oak - Woodland



SW02 - Walnut - Woodland



SW03 - Pine - Woodland

**MARVIK 6 (MV-30052)**

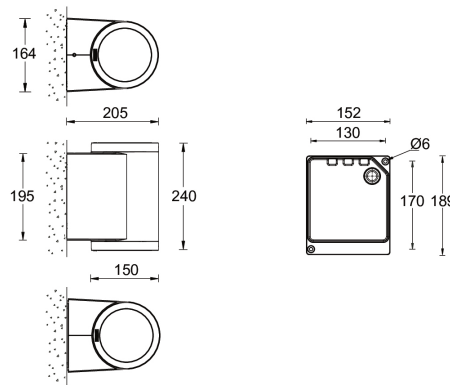
**Technical information**

<b>Material</b>	Aluminium
<b>Light source</b>	8 & 8 LED
<b>Power</b>	38 W
<b>Lumen</b>	3731 - 4533 lm
<b>Efficacy</b>	98 - 119 lm/W
<b>Driver option</b>	Integral control gear
<b>Driver</b>	Constant current (CC)
<b>Input voltage</b>	220-240 V 50/60 Hz
<b>Optic</b>	M, W, EW, T1, T2, T3, T4, ME, SCL
<b>Optic value</b>	30°, 56°, 115°x108°, 146°x70°, 136°x48°, 133°x78°, 103°x73°, 134°x61°, 145°x60°

<b>Optic (2nd)</b>	M, W, EW, T1, T2, T3, T4
<b>Optic (2nd) value</b>	30°, 56°, 115°x108°, 146°x70°, 136°x48°, 133°x78°, 103°x73°
<b>CCT / CRI</b>	3000K CRI80, 4000K CRI80
<b>Bug</b>	B0-U5-G0, B1-U5-G0, B1-U5-G1, B2-U5-G0
<b>ULR</b>	40%, 46%, 47%, 48%, 49%, 50%, 51%, 52%, 53%, 54%
<b>ULOR</b>	40%, 46%, 47%, 48%, 49%, 50%, 51%, 52%, 53%, 54%
<b>CIE flux code n°3</b>	100, 96, 97, 98, 99
<b>Dimming type</b>	On/Off, 1-10V, DALI
<b>Product colours</b>	Black, Dark Grey, White, Matt Silver, Bronze, Concrete - Urban, Softscape - Urban, Stone - Urban, Corten - Urban, Oak - Woodland, Walnut - Woodland, Pine - Woodland
<b>Weight</b>	5.3 kg

<b>Operating temperature</b>	-20 °C to 40 °C
<b>Through wiring</b>	Single cable entry
<b>Lens / Reflector / Optic</b>	Clear toughened glass
<b>MacAdam Ellipse</b>	3 SDCM
<b>Lifetime L90B10 (hours)</b>	> 90,000
<b>Lifetime L80B10 (hours)</b>	> 90,000
<b>Lifetime L80B50 (hours)</b>	> 90,000
<b>Variants (1-10V, DALI)</b>	Compatible with EN/ IEC 60598-2-22: Suitable for emergency installations as central supply, non-maintained (Z0)

MV-30052



**Accessories**



Surface mounting box for easy cabling (MARVIK 6)  
**SCE-MARVIK-6**



DALI Control System  
**Control-DALI**