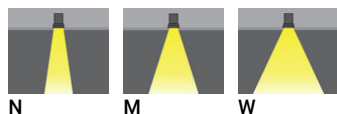


**MARYS 6 (MY-80071)****Product description**

Ø203 mm

**Luminaire Structure**

- Die-cast aluminium housing with powder coating
- Die-cast aluminium heat sink with excellent thermal management
- Propriety lens design for high LOR
- Remote driver is included

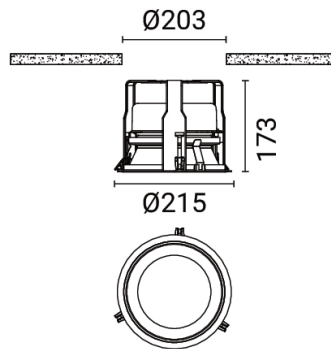
**Optic****Product colour**

## MARYS 6 (MY-80071)

## Technical information

<b>Material</b>	Aluminium	<b>Driver</b>	Constant current (CC)	<b>Product colours</b>	Glossy White, Glossy Black
<b>Light source</b>	30 LED	<b>Input voltage</b>	1350 mA, 45 VDC	<b>Weight</b>	2.59 kg.
<b>Power</b>	50 W	<b>Optic</b>	N, M, W	<b>Operating temperature</b>	-20 °C to 40 °C
<b>Lumen</b>	4822 - 5696 lm	<b>Optic value</b>	13°, 27°, 37°	<b>Variants (1-10V, DALI)</b>	Compatible with EN/ IEC 60598-2-22: Suitable for emergency installations as central supply, non-maintained (Z0)
<b>Efficacy</b>	96 - 114 lm/W	<b>CCT / CRI</b>	3000K CRI80, 4000K CRI80		
<b>Driver option</b>	Remote driver (included)	<b>Dimming type</b>	On/Off, 1-10V, DALI		

MY-80071



## Accessories



DALI Control System  
Control-DALI