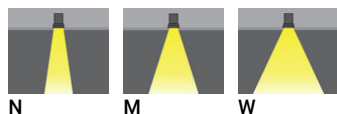


MARYS 6 (MY-80081)**Product description**

Ø203 mm

**Luminaire Structure**

- Die-cast aluminium housing with powder coating
- Die-cast aluminium heat sink with excellent thermal management
- Propriety lens design for high LOR
- Remote driver is included

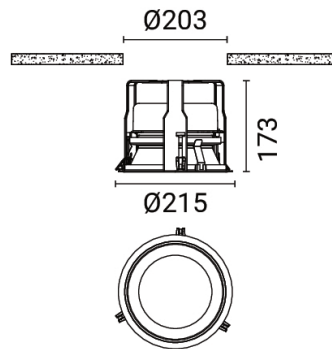
Optic**Product colour**

MARYS 6 (MY-80081)

Technical information

Material	Aluminium	Driver	Constant current (CC)	Product colours	Glossy White, Glossy Black
Light source	36 LED	Input voltage	1350 mA, 36 VDC	Weight	2.59 kg.
Power	55 W	Optic	N, M, W	Operating temperature	-20 °C to 40 °C
Lumen	6032 - 7122 lm	Optic value	13°, 27°, 37°	Variants (1-10V, DALI)	Compatible with EN/ IEC 60598-2-22: Suitable for emergency installations as central supply, non-maintained (Z0)
Efficacy	108 - 127 lm/W	CCT / CRI	3000K CRI80, 4000K CRI80		
Driver option	Remote driver (included)	Dimming type	On/Off, 1-10V, DALI		

MY-80081



Accessories



DALI Control System
Control-DALI