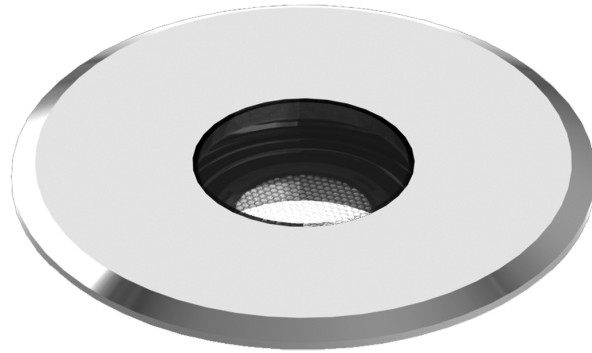


NEVADA 1 (NE-60833) (Version 1)**Product description**

Without remote driver - With recessing box - Constant voltage (CV) 24 V

**Luminaire Structure**

- Die-cast aluminium housing
- Pre-treated before powder coating ensuring high corrosion resistance
- 3 mm thick front ring in grade 316 stainless steel
- Single cable entry
- One cable gland supplied with 0.5 m of 2x1.0 sqmm outdoor cable

- Stainless steel fasteners in grade 304 with zinc flake coating (ZFC)
- Durable silicone rubber gasket
- Clear toughened glass
- Remote driver (not included)
- Recessing box in high-density polyethylene is included

- Suitable for walk-over with a maximum load of 200 kg
- To ensure efficient drainage, gravel must be used to a depth of 450 mm and width of 300 mm beneath the housing and should also be placed around luminaire

Optic**N****Product colour**

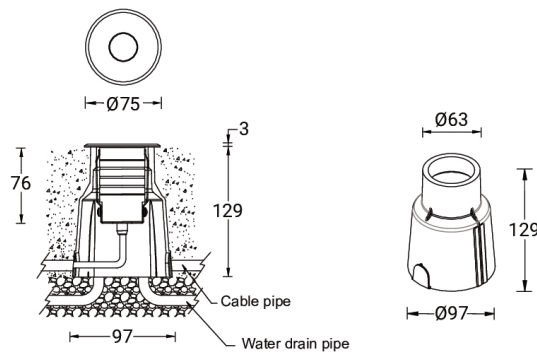
00 - Stainless Steel

NEVADA 1 (NE-60833) (Version 1)

Technical information

Material	Stainless Steel	Optic value	24°	Operating temperature	-20 °C to 40 °C
Light source	1 LED	CCT / CRI	3000K CRI80, 4000K CRI80	Cable	One cable gland supplied with 0.5 m of 2x1.0 sqmm outdoor cable
Power	2 W	Bug	B0-U1-G0	Through wiring	Single cable entry
Lumen	191 - 201 lm	ULR	0%	Lens / Reflector / Optic	Clear toughened glass
Efficacy	106 - 112 lm/W	ULOR	0%	MacAdam Ellipse	3 SDCM
Driver option	Remote driver (not included)	CIE flux code n°3	100	Lifetime L90B10 (hours)	> 109,000
Driver	Constant voltage (CV)	Dimming type	On/Off	Lifetime L80B10 (hours)	> 109,000
Input voltage	24 VDC	Product colours	Stainless Steel	Lifetime L80B50 (hours)	> 109,000
Optic	N	Weight	0.46 kg		

NE-60833



Accessories



Driver (CV) - On/Off - 36 W - IP67 - 24 V
A34491-ND



Driver (CV) - On/Off - 60 W - IP67 - 24 V
A34591-ND



Driver (CV) - On/Off - 100 W - IP67 - 24 V
A34791-ND



Driver (CV) - On/Off - 150 W - IP67 - 24 V
A34891-ND



Driver (CV) - On/Off - 200 W - IP67 - 24 V
A34991-ND



Driver (CV) - On/Off - 350 W - IP67 - 24 V
A35091-ND