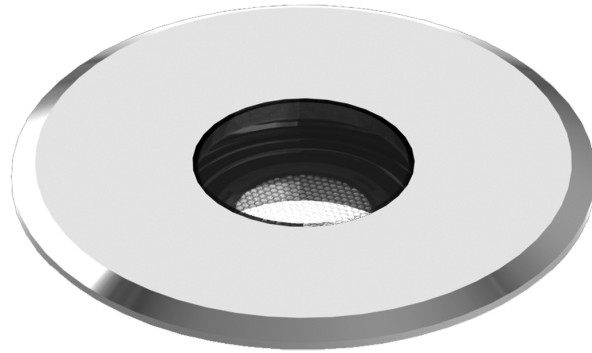


NEVADA 1 (NE-60835)**Product description**

Without remote driver - With recessing box - Constant current (CC) 500 mA

**Luminaire Structure**

- Die-cast aluminium housing
- Pre-treated before powder coating ensuring high corrosion resistance
- 3 mm thick front ring in grade 316 stainless steel
- Single cable entry
- One cable gland supplied with 0.5 m of 2x1.0 sqmm outdoor cable

- Stainless steel fasteners in grade 304 with zinc flake coating (ZFC)
- Durable silicone rubber gasket
- Clear toughened glass
- Remote driver (not included)
- Recessing box in high-density polyethylene is included

- Suitable for walk-over with a maximum load of 200 kg
- To ensure efficient drainage, gravel must be used to a depth of 450 mm and width of 300 mm beneath the housing and should also be placed around luminaire

Optic**N****Product colour**

00 - Stainless Steel

NEVADA 1 (NE-60835)

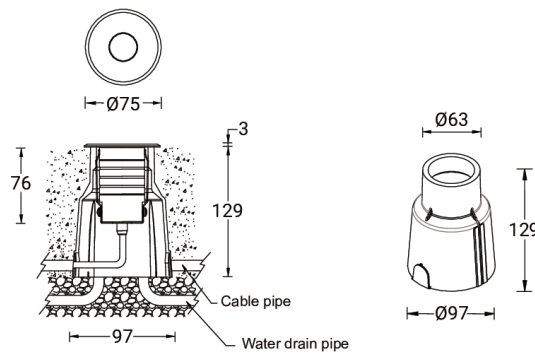
Technical information

Material	Stainless Steel
Light source	1 LED
Power	2 W
Lumen	191 - 201 lm
Efficacy	96 - 101 lm/W
Driver option	Remote driver (not included)
Driver	Constant current (CC)
Input voltage	500 mA, 3 VDC
Optic	N

Optic value	22°
CCT / CRI	3000K CRI80, 4000K CRI80
Bug	B1-U0-G0
ULR	0%
ULOR	0%
CIE flux code n°3	100
Dimming type	On/Off
Product colours	Stainless Steel
Weight	0.46 kg

Operating temperature	-20 °C to 40 °C
Cable	One cable gland supplied with 0.5 m of 2x1.0 sqmm outdoor cable
Through wiring	Single cable entry
Lens / Reflector / Optic	Clear toughened glass
MacAdam Ellipse	3 SDCM
Lifetime L90B10 (hours)	> 109,000
Lifetime L80B10 (hours)	> 109,000
Lifetime L80B50 (hours)	> 109,000

NE-60835



Accessories



Connector IP68 3 Pin Power
A62591



DALI Control System
Control-DALI



Connector IP68 5 Pin Power +
Signal
A613191



Remote box IP65
A80191



Driver (CC) - DALI - 20 W - IP20 -
700 mA max
A32691-DA



Driver (CC) - 1-10V - 20 W - IP20 -
700 mA max
A32691-DI



Driver (CC) - On/Off - 20 W - IP20
- 700 mA max
A32691-ND