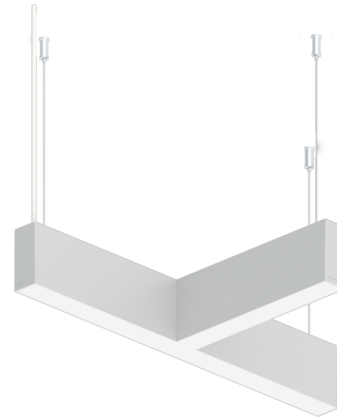


NYBRO 19 (NYB-80912-PE)



Product description

Down - T90° - 60x80 mm - 345 mm



Luminaire Structure

- Die-cast aluminium end-caps and extruded aluminium profile with powder coating
- Cut the connection angle according to the shape
- Stainless steel fasteners in grade 316
- Stainless steel, adjustable, suspension (1.5 m) complete with electrical wires in white for mounting

- PMMA diffuser with Opal (UGR <19) and micro prismatic (UGR <13) options for better glare control
- Up and down light distribution options
- Passive thermal management
- Integral control gear

- Wireless control available through Bluetooth connection
- Daylight and occupancy sensor options

Optic



P

Product colour



01 - Black (RAL 9011) 03 - White (RAL 9003) 05 - Matt Silver (RAL 9006)

Special finishes upon request



SU01 - Concrete - Urban SU02 - Softscape - Urban SU03 - Stone - Urban SU04 - Corten - Urban



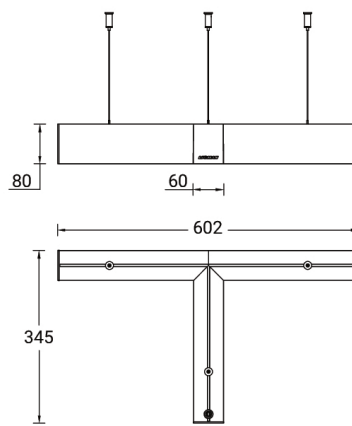
SW01 - Oak - Woodland SW02 - Walnut - Woodland SW03 - Pine - Woodland

NYBRO 19 (NYB-80912-PE)

Technical information

| | | | | | |
|----------------------|-----------------------|------------------------|---|--------------------------------|---|
| Material | Aluminium | Input voltage | 220-240 V 50/60 Hz | Operating temperature | -20 °C to 40 °C |
| Light source | 108 LED | Optic | O, P | MacAdam Ellipse | 3 SDCM |
| Power | 21 W | Optic value | Opal, Micro-prismatic | Lifetime L90B10 (hours) | > 23,000 |
| Lumen | 2028 - 2550 lm | CCT / CRI | 3000K CRI80, 4000K CRI80 | Lifetime L80B10 (hours) | > 45,000 |
| Efficacy | 97 - 121 lm/W | Dimming type | On/Off, DALI | Lifetime L80B50 (hours) | > 50,000 |
| Driver option | Integral control gear | Product colours | Black, White, Matt Silver, Concrete - Urban, Softscape - Urban, Stone - Urban, Corten - Urban, Oak - Woodland, Walnut - Woodland, Pine - Woodland | Variants (On/Off, DALI) | Compatible with EN/ IEC 60598-2-22: Suitable for emergency installations as central supply, non-maintained (Z0) |
| Driver | Constant current (CC) | | | | |
| | | Weight | 3.82 kg. | | |

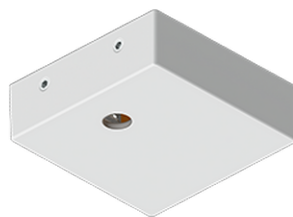
NYB-80912-PE



Accessories



Continuous-coupler bracket
(60/70 mm Down & 60 mm
Down & Up profile)
A81581



Supply cable surface mounting
box
A80981



DALI Control System
Control-DALI