

**NYBRO 25 (NYB-81011-PE)**



**Product description**

Down - Y120° - 40x80 mm - 502 mm



**Luminaire Structure**

- Die-cast aluminium end-caps and extruded aluminium profile with powder coating
- Cut the connection angle according to the shape
- Stainless steel fasteners in grade 316
- Stainless steel, adjustable, suspension (1.5 m) complete with electrical wires in white for mounting

- PMMA diffuser with Opal (UGR <19) and micro prismatic (UGR <13) options for better glare control
- Up and down light distribution options
- Passive thermal management
- Integral control gear

- Wireless control available through Bluetooth connection
- Daylight and occupancy sensor options

**Optic**



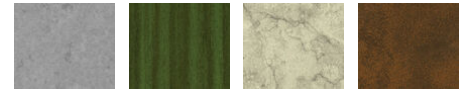
P

**Product colour**



01 - Black (RAL 9011)    03 - White (RAL 9003)    05 - Matt Silver (RAL 9006)

**Special finishes upon request**



SU01 - Concrete - Urban    SU02 - Softscape - Urban    SU03 - Stone - Urban    SU04 - Corten - Urban



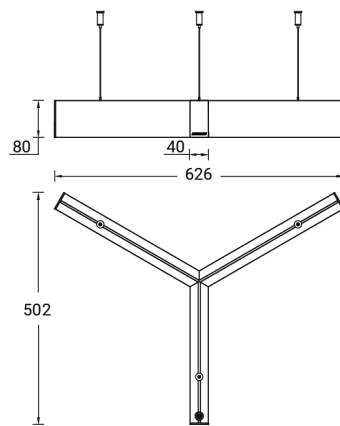
SW01 - Oak - Woodland    SW02 - Walnut - Woodland    SW03 - Pine - Woodland

**NYBRO 25 (NYB-81011-PE)**

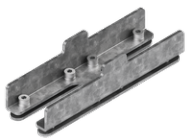
**Technical information**

<b>Material</b>	Aluminium	<b>Input voltage</b>	220-240 V 50/60 Hz	<b>Operating temperature</b>	-20 °C to 40 °C
<b>Light source</b>	120 LED	<b>Optic</b>	O, P	<b>MacAdam Ellipse</b>	3 SDCM
<b>Power</b>	16 W	<b>Optic value</b>	Opal, Micro-prismatic	<b>Lifetime L90B10 (hours)</b>	> 23,000
<b>Lumen</b>	1342 - 1682 lm	<b>CCT / CRI</b>	3000K CRI80, 4000K CRI80	<b>Lifetime L80B10 (hours)</b>	> 45,000
<b>Efficacy</b>	84 - 105 lm/W	<b>Dimming type</b>	On/Off, DALI	<b>Lifetime L80B50 (hours)</b>	> 50,000
<b>Driver option</b>	Integral control gear	<b>Product colours</b>	Black, White, Matt Silver, Concrete - Urban, Softscape - Urban, Stone - Urban, Corten - Urban, Oak - Woodland, Walnut - Woodland, Pine - Woodland	<b>Variants (On/Off, DALI)</b>	Compatible with EN/ IEC 60598-2-22: Suitable for emergency installations as central supply, non-maintained (Z0)
<b>Driver</b>	Constant current (CC)				
		<b>Weight</b>	2.85 kg.		

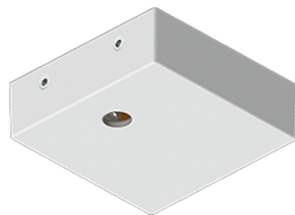
NYB-81011-PE



**Accessories**



Continuous-coupler bracket  
(40/50 mm Down profile)  
**A81881**



Supply cable surface mounting  
box  
**A80981**



DALI Control System  
**Control-DALI**