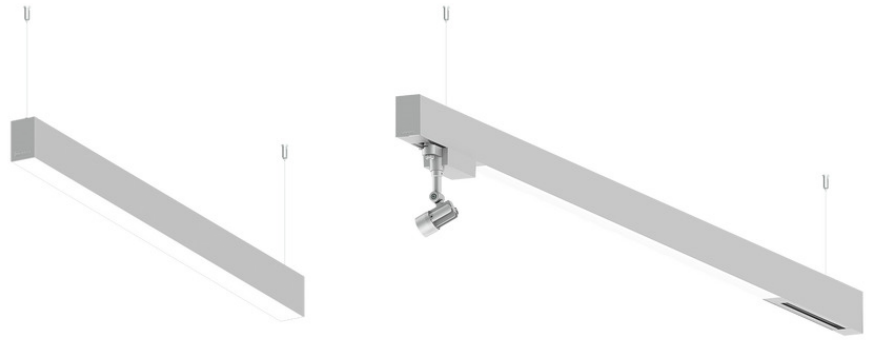


**NYBRO 10 (NYB-90301)**



**Product description**

Down (Optic) & Up (Optic 2nd) - 60x95 mm - 602 mm



microPrim™

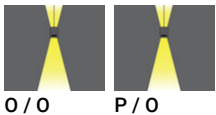
**Luminaire Structure**

- Die-cast aluminium end-caps and extruded aluminium profile with powder coating
- Passive thermal management
- Single cable entry
- Stainless steel fasteners in grade 304 with zinc flake coating (ZFC)
- Durable silicone rubber gasket

- PMMA diffuser with Opal (UGR <19) and micro prismatic (UGR <13) options for better glare control
- Integral control gear
- Stainless steel brackets and screws for mounting
- Up and down light distribution options
- Wireless control available through Bluetooth connection

- Daylight and occupancy sensor options
- Emergency module (1 or 3 hours) is available upon request with 3 options (BASIC, SELF-TEST, PRO-DALI)
- Track can be integrated into NYBRO products upon request and upon receipt of design drawings

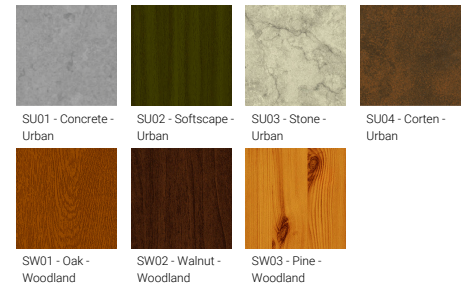
**Optic**



**Product colour**



**Special finishes upon request**



**NYBRO 10 (NYB-90301)**

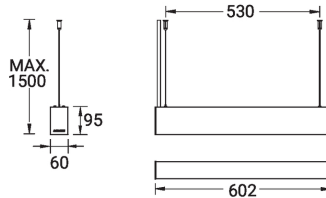
**Technical information**

<b>Material</b>	Aluminium
<b>Light source</b>	72 & 60 LED
<b>Power</b>	28 W
<b>Lumen</b>	2873 - 3241 lm
<b>Efficacy</b>	103 - 116 lm/W
<b>Driver option</b>	Integral control gear
<b>Driver</b>	Constant current (CC)
<b>Input voltage</b>	220-240 V 50/60 Hz

<b>Optic</b>	O, P
<b>Optic value</b>	Opal, Micro-prismatic
<b>Optic (2nd)</b>	O
<b>Optic (2nd) value</b>	Opal
<b>CCT / CRI</b>	3000K CRI80, 4000K CRI80
<b>Dimming type</b>	On/Off, DALI
<b>Product colours</b>	Black, White, Matt Silver, Concrete - Urban, Softscape - Urban, Stone - Urban, Corten - Urban, Oak - Woodland, Walnut - Woodland, Pine - Woodland
<b>Weight</b>	2.6 kg

<b>Operating temperature</b>	-20 °C to 40 °C
<b>MacAdam Ellipse</b>	3 SDCM
<b>Lifetime L90B10 (hours)</b>	> 23,000
<b>Lifetime L80B10 (hours)</b>	> 45,000
<b>Lifetime L80B50 (hours)</b>	> 50,000
<b>Variants (On/Off, DALI)</b>	Compatible with EN/ IEC 60598-2-22: Suitable for emergency installations as central supply, non-maintained (Z0)

NYB-90301



**NYBRO 10 (NYB-90301)****Accessory**

Continuous-coupler bracket  
(60/70 mm Down & 60 mm  
Down & Up profile)  
**A81581**



Supply cable surface mounting  
box  
**A80981**



Integrated track - 3 phase - DALI  
for NYBRO  
**A81491**



Integrated track - 3 phase - On-  
off for NYBRO  
**A81391**



DALI Control System  
**Control-DALI**