

ODESSA 20 (OD-21051)



Product description

Large - 3 projectors - 1 side



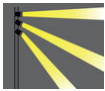
Luminaire Structure

- Die-cast aluminium housing
- Pre-treated before powder coating ensuring high corrosion resistance
- Single cable entry
- One cable gland supplied with 2 m of 3x1.0 sqmm outdoor cable

- Stainless steel fasteners in grade 304 with zinc flake coating (ZFC)
- Durable silicone rubber gasket
- High-efficiency PMMA lens
- Clear toughened glass

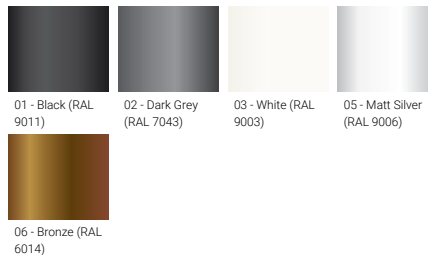
- Integral control gear
- Maximum wind load resistance is 140 km/h

Optic

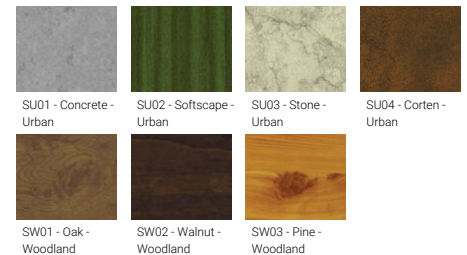


VN

Product colour



Special finishes upon request



ODESSA 20 (OD-21051)

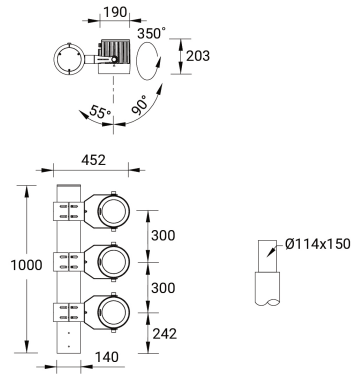
Technical information

Material	Aluminium
Light source	3 x 7 LED
Power	180 W
Lumen	16686 - 17562 lm
Efficacy	93 - 98 lm/W
Driver option	Integral control gear
Driver	Constant current (CC)
Input voltage	220-240 V 50/60 Hz

Optic	VN
Optic value	8°
CCT / CRI	3000K CRI80, 4000K CRI80
Dimming type	On/Off, 1-10V, DALI
Product colours	Black, Dark Grey, White, Matt Silver, Bronze, Concrete - Urban, Softscape - Urban, Stone - Urban, Corten - Urban, Oak - Woodland, Walnut - Woodland, Pine - Woodland
Weight	26 kg
Operating temperature	-20 °C to 40 °C
Cable	One cable gland supplied with 2 m of 3x1.0 sqmm outdoor cable

Through wiring	Single cable entry
Lens / Reflector / Optic	High-efficiency PMMA lens, Clear toughened glass
MacAdam Ellipse	3 SDCM
Lifetime L90B10 (hours)	> 109,000
Lifetime L80B10 (hours)	> 109,000
Lifetime L80B50 (hours)	> 109,000
Variants (On/Off, 1-10V, DALI)	Compatible with EN/ IEC 60598-2-22: Suitable for emergency installations as central supply, non-maintained (Z0)

OD-21051



Accessories



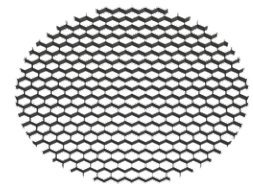
Anti glare visor
A54431



Anti glare louvre
A54631



Linear spread lens
A51814



Honeycomb louvre
A54121

ODESSA 20 (OD-21051)

DALI Control System

Control-DALI

Please contact the factory for technical details if you wish to use Anti-glare accessories, Colour filters, Lenses and slip glasses in combination.