

**ODESSA 20 (OD-21058)**



**Product description**

Large - 6 projectors - 2 sides - RGBW



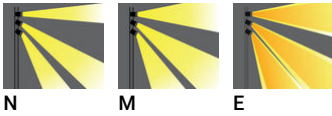
**Luminaire Structure**

- Die-cast aluminium housing
- Pre-treated before powder coating ensuring high corrosion resistance
- Single cable entry
- One cable gland supplied with 2 m of 5x1.5 sqmm outdoor cable

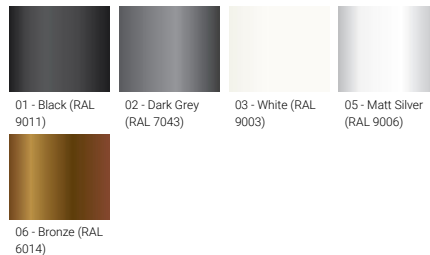
- Stainless steel fasteners in grade 304 with zinc flake coating (ZFC)
- Durable silicone rubber gasket
- High-efficiency PMMA lens
- Clear toughened glass

- Integral control gear
- Maximum wind load resistance is 140 km/h

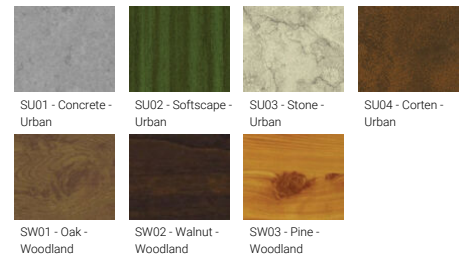
**Optic**



**Product colour**



**Special finishes upon request**



**ODESSA 20 (OD-21058)**

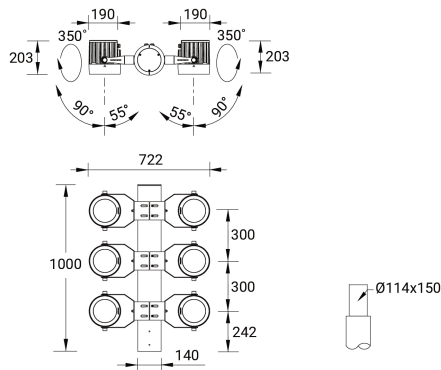
**Technical information**

<b>Material</b>	Aluminium
<b>Light source</b>	6 x 7 LED
<b>Power</b>	270 W
<b>Lumen</b>	8220 - 10014 lm
<b>Efficacy</b>	30 - 37 lm/W
<b>Driver option</b>	Integral control gear
<b>Driver</b>	Constant current (CC)

<b>Input voltage</b>	220-240 V 50/60 Hz
<b>Optic</b>	N, M, E
<b>Optic value</b>	20°, 34°, 24° x 49°
<b>CCT / CRI</b>	RGBW30, RGBW40
<b>Dimming type</b>	DMX, DMX/RDM
<b>Product colours</b>	Black, Dark Grey, White, Matt Silver, Bronze, Concrete - Urban, Softscape - Urban, Stone - Urban, Corten - Urban, Oak - Woodland, Walnut - Woodland, Pine - Woodland
<b>Weight</b>	45.5 kg

<b>Operating temperature</b>	-20 °C to 40 °C
<b>Cable</b>	One cable gland supplied with 2 m of 5x1.5 sqmm outdoor cable
<b>Through wiring</b>	Single cable entry
<b>Lens / Reflector / Optic</b>	High-efficiency PMMA lens, Clear toughened glass
<b>Variants (DMX, DMX/RDM)</b>	Compatible with EN/ IEC 60598-2-22: Suitable for emergency installations as central supply, non-maintained (Z0)

**OD-21058**



**Accessories**



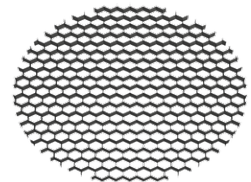
Anti glare visor  
**A54431**



Anti glare louvre  
**A54631**



Linear spread lens  
**A51814**



Honeycomb louvre  
**A54121**



Remote box IP65  
**A80191**



DMX Control System  
**Control-DMX**



DMX/RDM Control System  
**Control-DMX-RDM**

**ODESSA 20** (OD-21058)

Please contact the factory for technical details if you wish to use Anti-glare accessories, Colour filters, Lenses and slip glasses in combination.