

ODESSA 2-G (OD-50021) (Version 2)



Product description

Gobo projector



Luminaire Structure

- Die-cast aluminium housing
- Pre-treated before powder coating ensuring high corrosion resistance
- Gasketed side-entry gobo access hatch
- Single cable entry
- One IP68 connector supplied with 0.2 m of 3x1.0 sqmm outdoor cable

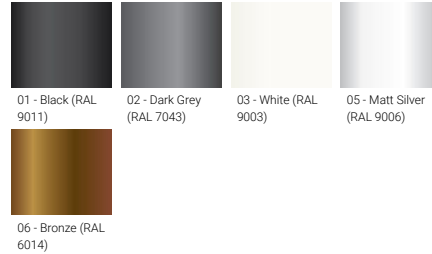
- Stainless steel fasteners in grade 304 with zinc flake coating (ZFC)
- Durable silicone rubber gasket
- Clear toughened glass
- Internal rear collimating lens
- Three optional forward-lens focal lengths

- Integral control gear
- Arm mounting installation
- Gobo holder (suitable for metal or glass gobos)
- Takes standard Size-E gobos

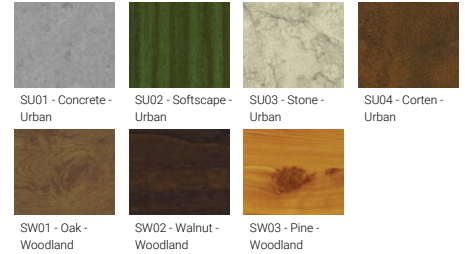
Optic



Product colour



Special finishes upon request



ODESSA 2-G (OD-50021) (Version 2)

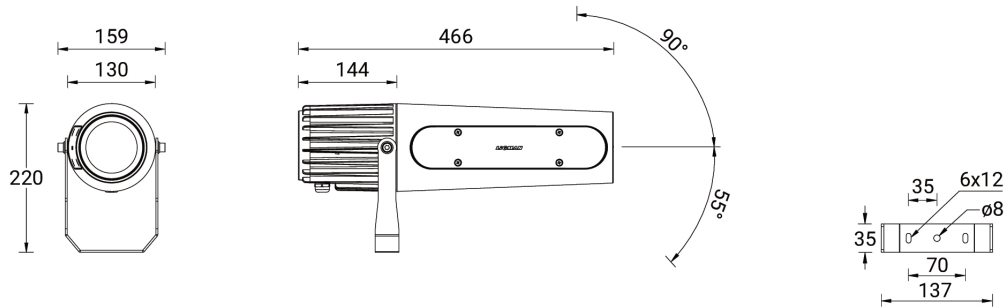
Technical information

Material	Aluminium
Light source	1 LED
Power	37 W
Lumen	93 - 249 lm
Efficacy	3 - 7 lm/W
Driver option	Integral control gear
Driver	Constant current (CC)
Input voltage	220-240 V 50/60 Hz

Optic	N, M, W
Optic value	12°, 18°, 32°
CCT / CRI	7500K CRI70
Bug	B0-U0-G0, B1-U0-G0
ULR	0%
ULOR	0%
CIE flux code n°3	100
Dimming type	On/Off, DALI

Product colours	Black, Dark Grey, White, Matt Silver, Bronze, Concrete - Urban, Softscape - Urban, Stone - Urban, Corten - Urban, Oak - Woodland, Walnut - Woodland, Pine - Woodland
Weight	4.90 kg
Operating temperature	-20 °C to 40 °C
Cable	One IP68 connector supplied with 0.2 m of 3x1.0 sqmm outdoor cable
Through wiring	Single cable entry
Lens / Reflector / Optic	Clear toughened glass, Internal rear collimating lens, Three optional forward-lens focal lengths
Variants (DALI)	Compatible with EN/ IEC 60598-2-22: Suitable for emergency installations as central supply, non-maintained (Z0)

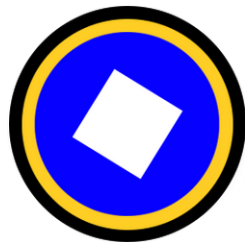
OD-50021



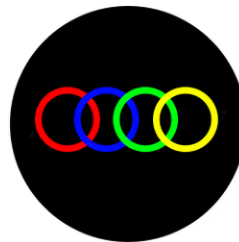
Accessories



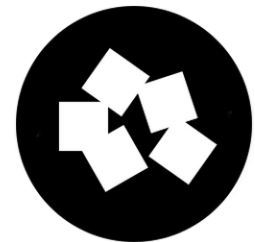
CUSTOM - 1 colour - Glass gobo - E Size
A53621



CUSTOM - 3 colours - Glass gobo - E Size
A53821



CUSTOM - 4 colours - Glass gobo - E Size
A53921



CUSTOM - Black & White - Glass gobo - E Size
A53421

ODESSA 2-G (OD-50021) (Version 2)

CUSTOM - Gray scale - Glass
gobo - E Size
A53521



DALI Control System
Control-DALI



Leaves - Glass gobo - E Size
A55621



Tropical leaves - Glass gobo - E
Size
A55721



Branches - Glass gobo - E Size
A55821



Water - Glass gobo - E Size
A55921



Moon - Glass gobo - E Size
A56121



Window - Glass gobo - E Size
A56221



City - Glass gobo - E Size
A56321