

ODESSA 6 (OD-50082)



Product description

Medium - IP65



Luminaire Structure

- Die-cast aluminium housing
- Pre-treated before powder coating ensuring high corrosion resistance
- Adjustable: Tilt 80° (Up) & 40° (Down), Rotation 350°
- Single cable entry

- Stainless steel fasteners in grade 304 with zinc flake coating (ZFC)
- Durable silicone rubber gasket
- High-efficiency PMMA lens
- Clear toughened glass

- Integral control gear

Optic



VN

Product colour

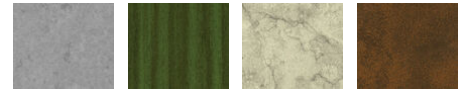


- 01 - Black (RAL 9011)
- 02 - Dark Grey (RAL 7043)
- 03 - White (RAL 9003)
- 05 - Matt Silver (RAL 9006)



- 06 - Bronze (RAL 6014)

Special finishes upon request



- SU01 - Concrete - Urban
- SU02 - Softscape - Urban
- SU03 - Stone - Urban
- SU04 - Corten - Urban



- SW01 - Oak - Woodland



- SW02 - Walnut - Woodland



- SW03 - Pine - Woodland

ODESSA 6 (OD-50082)

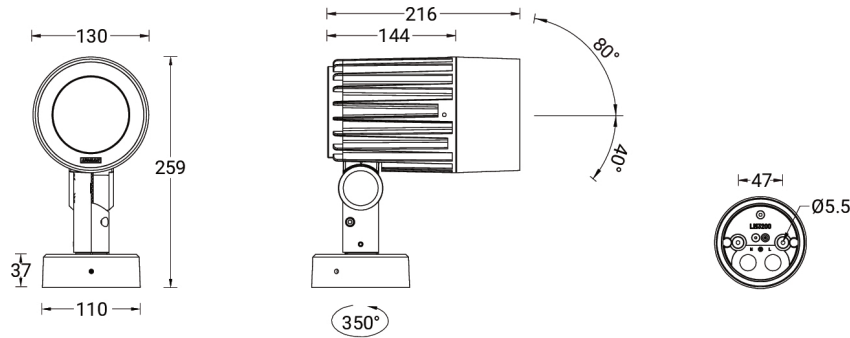
Technical information

Material	Aluminium
Light source	3 LED
Power	27 W
Lumen	1704 - 2005 lm
Efficacy	63 - 74 lm/W
Driver option	Integral control gear
Driver	Constant current (CC)
Input voltage	220-240 V 50/60 Hz
Optic	VN

Optic value	8°
CCT / CRI	3000K CRI80, 4000K CRI80
Bug	B2-U0-G0, B3-U0-G0
ULR	0%
ULOR	0%
CIE flux code n°3	100
Dimming type	On/Off, DALI
Product colours	Black, Dark Grey, White, Matt Silver, Bronze, Concrete - Urban, Softscape - Urban, Stone - Urban, Corten - Urban, Oak - Woodland, Walnut - Woodland, Pine - Woodland
Weight	3.2 kg

Operating temperature	-20 °C to 40 °C
Through wiring	Single cable entry
Lens / Reflector / Optic	High-efficiency PMMA lens, Clear toughened glass
MacAdam Ellipse	3 SDCM
Lifetime L90B10 (hours)	> 109,000
Lifetime L80B10 (hours)	> 109,000
Lifetime L80B50 (hours)	> 109,000
Variants (DALI)	Compatible with EN/ IEC 60598-2-22: Suitable for emergency installations as central supply, non-maintained (Z0)

OD-50082



Accessories



Anti-glare visor
A80131



Anti-glare louvre
A80231



Linear spread lens
A80114



Ground spike
A51041

ODESSA 6 (OD-50082)

DALI Control System
Control-DALI

Please contact the factory for technical details if you wish to use Anti-glare accessories, Colour filters, Lenses and slip glasses in combination.