

ODESSA 7 (OD-50091)**Product description**

Bracket mounted projector – Ø105 mm

**Luminaire Structure**

- Die-cast aluminium housing
- Pre-treated before powder coating ensuring high corrosion resistance
- Adjustable: Tilt 80° (Up) & 40° (Down), Rotation 350°
- Single cable entry
- Stainless steel fasteners in grade 304 with zinc flake coating (ZFC)
- Durable silicone rubber gasket
- High-efficiency PMMA lens
- Clear toughened glass
- Integral control gear

Optic

VN

Product colour

01 - Black (RAL 9011) 02 - Dark Grey (RAL 7043) 03 - White (RAL 9003) 05 - Matt Silver (RAL 9006)



06 - Bronze (RAL 6014)

Special finishes upon request

SU01 - Concrete - Urban SU02 - Softscape - Urban SU03 - Stone - Urban SU04 - Corten - Urban

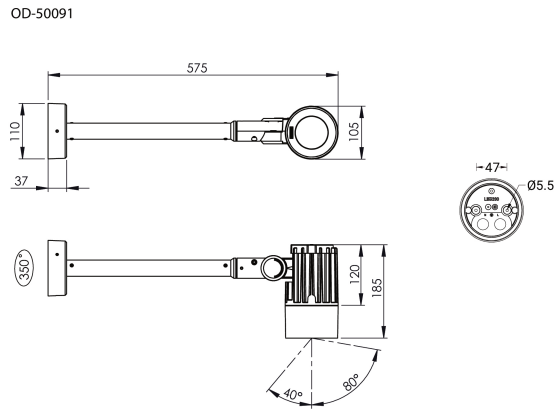


SW01 - Oak - Woodland SW02 - Walnut - Woodland SW03 - Pine - Woodland

ODESSA 7 (OD-50091)

Technical information

Material	Aluminium	Optic value	8°	Operating temperature	-20 °C to 40 °C
Light source	1 LED	CCT / CRI	3000K CRI80, 4000K CRI80	Through wiring	Single cable entry
Power	11 W	Bug	B1-U0-G0	Lens / Reflector / Optic	High-efficiency PMMA lens, Clear toughened glass
Lumen	694 - 816 lm	ULR	0%	MacAdam Ellipse	3 SDCM
Efficacy	63 - 74 lm/W	ULOR	0%	Lifetime L90B10 (hours)	> 109,000
Driver option	Integral control gear	CIE flux code n°3	100	Lifetime L80B10 (hours)	> 109,000
Driver	Constant current (CC)	Dimming type	On/Off, 1-10V, DALI	Lifetime L80B50 (hours)	> 109,000
Input voltage	220-240 V 50/60 Hz	Product colours	Black, Dark Grey, White, Matt Silver, Bronze, Concrete - Urban, Softscape - Urban, Stone - Urban, Corten - Urban, Oak - Woodland, Walnut - Woodland, Pine - Woodland	Variants (On/Off, 1-10V, DALI)	Compatible with EN/ IEC 60598-2-22: Suitable for emergency installations as central supply, non-maintained (Z0)
Optic	VN				
Weight	3.2 kg				



Accessories

			
Anti-glare visor A80331	Honeycomb louvre A80121	Linear spread lens A80214	DALI Control System Control-DALI

Please contact the factory for technical details if you wish to use Anti-glare accessories, Colour filters, Lenses and slip glasses in combination.