

ODESSA 8 (OD-50101)



Product description

Bracket mounted projector – Ø130 mm



microPrim™

Luminaire structure

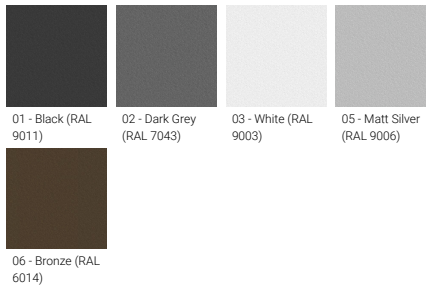
- Die-cast aluminium housing
- Pre-treated before powder coating ensuring high corrosion resistance
- Adjustable: Tilt 80° (Up) & 40° (Down), Rotation 350°
- Single cable entry
- Stainless steel fasteners in grade 304 with zinc flake coating (ZFC)
- Durable silicone rubber gasket
- High-efficiency PMMA lens
- Clear toughened glass
- Integral control gear

Optic

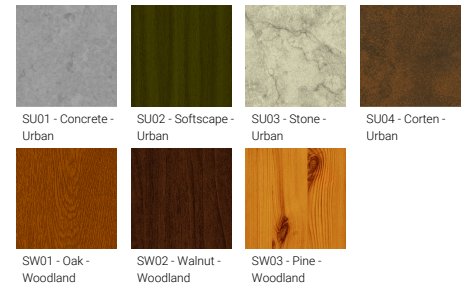


VN

Product colour



Special finishes upon request



ODESSA 8 (OD-50101)

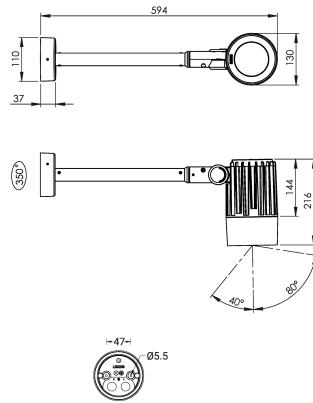
Technical information

Material	Aluminium
Light source	3 LED
Power	27 W
Lumen	1636 - 2005 lm
Efficacy	61 - 74 lm/W
Driver option	Integral control gear
Driver	Constant current (CC)
Input voltage	220-240 V 50/60 Hz
Optic	VN

Optic value	8°
CCT / CRI	2700K CRI80, 3000K CRI80, 4000K CRI80
Bug	B2-U0-G0, B3-U0-G0
ULR	<1%
ULOR	<1%
CIE flux code n°3	100
Dimming type	On/Off, DALI
Product colours	Black, Dark Grey, White, Matt Silver, Bronze, Concrete - Urban, Softscape - Urban, Stone - Urban, Corten - Urban, Oak - Woodland, Walnut - Woodland, Pine - Woodland
Weight	3.7 kg

Operating temperature	-20 °C to 40 °C
EPA (m2)	0.055
Through wiring	Single cable entry
Lens / Reflector / Optic	High-efficiency PMMA lens, Clear toughened glass
MacAdam Ellipse	3 SDCM
Lifetime L90B10 (hours)	> 109,000
Lifetime L80B10 (hours)	> 109,000
Lifetime L80B50 (hours)	> 109,000
Variants (DALI)	Compatible with EN/ IEC 60598-2-22: Suitable for emergency installations as central supply, non-maintained (Z0)

OD-50101



Accessory



Anti-glare visor
A80131



Anti-glare louvre
A80231



Linear spread lens
A80114



DALI Control System
Control-DALI

Please contact the factory for technical details if you wish to use Anti-glare accessories, Colour filters, Lenses and slip glasses in combination.