

ODESSA 12 (OD-50143)



Product description

Large



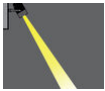
Luminaire Structure

- Die-cast aluminium housing
- Pre-treated before powder coating ensuring high corrosion resistance
- Single cable entry
- One IP68 connector supplied with 0.2 m of 3x1.0 sqmm outdoor cable

- Stainless steel fasteners in grade 304 with zinc flake coating (ZFC)
- Durable silicone rubber gasket
- High-efficiency PMMA lens
- Clear toughened glass

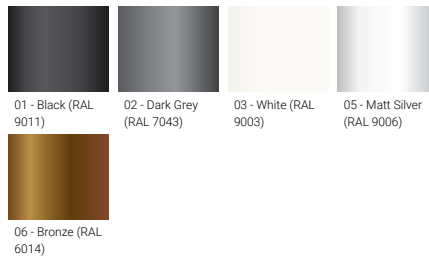
- Integral control gear
- Arm mounting installation

Optic

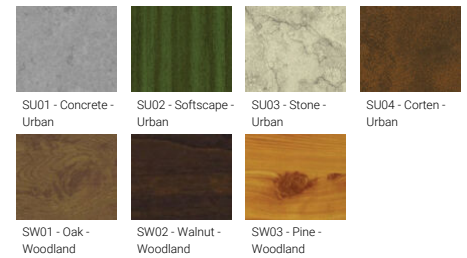


VN

Product colour



Special finishes upon request



ODESSA 12 (OD-50143)

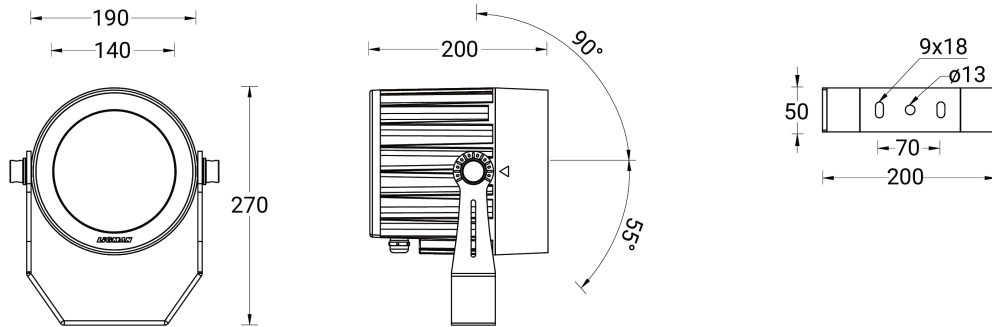
Technical information

Material	Aluminium
Light source	7 LED
Power	45 W
Lumen	4377 - 4607 lm
Efficacy	97 - 102 lm/W
Driver option	Integral control gear
Driver	Constant current (CC)
Input voltage	220-240 V 50/60 Hz

Optic	VN
Optic value	8
CCT / CRI	3000K CRI80, 4000K CRI80
Dimming type	On/Off, 1-10V, DALI
Product colours	Black, Dark Grey, White, Matt Silver, Bronze, Concrete - Urban, Softscape - Urban, Stone - Urban, Corten - Urban, Oak - Woodland, Walnut - Woodland, Pine - Woodland
Weight	5.0 kg
Operating temperature	-20 °C to 40 °C
Cable	One IP68 connector supplied with 0.2 m of 3x1.0 sqmm outdoor cable

Through wiring	Single cable entry
Lens / Reflector / Optic	High-efficiency PMMA lens, Clear toughened glass
MacAdam Ellipse	3 SDCM
Lifetime L90B10 (hours)	> 109,000
Lifetime L80B10 (hours)	> 109,000
Lifetime L80B50 (hours)	> 109,000
Variants (On/Off, 1-10V, DALI)	Compatible with EN/ IEC 60598-2-22: Suitable for emergency installations as central supply, non-maintained (Z0)

OD-50143



Accessories



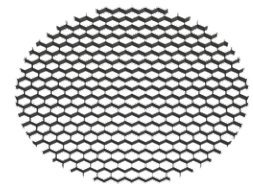
Anti glare visor
A54431



Anti glare louvre
A54631



Linear spread lens
A51814



Honeycomb louvre
A54121

ODESSA 12 (OD-50143)

DALI Control System
Control-DALI

Please contact the factory for technical details if you wish to use Anti-glare accessories, Colour filters, Lenses and slip glasses in combination.