

ODESSA 13 (OD-50152)**Product description**

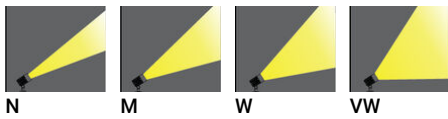
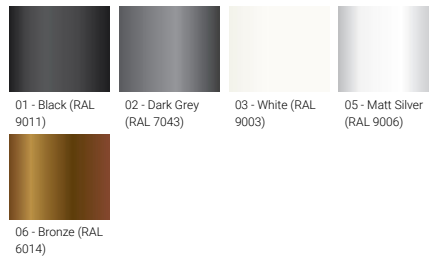
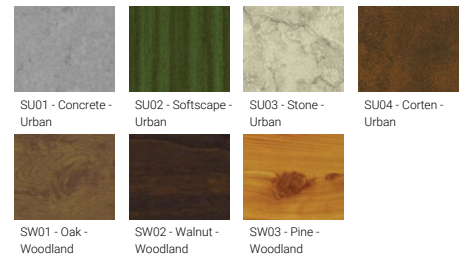
Large - IP66

**Luminaire Structure**

- Die-cast aluminium housing
- Pre-treated before powder coating ensuring high corrosion resistance
- Adjustable: Tilt 80° (Up) & 40° (Down), Rotation 350°
- Single cable entry

- Stainless steel fasteners in grade 304 with zinc flake coating (ZFC)
- Durable silicone rubber gasket
- High-efficiency optical reflector
- Clear toughened glass

- Integral control gear

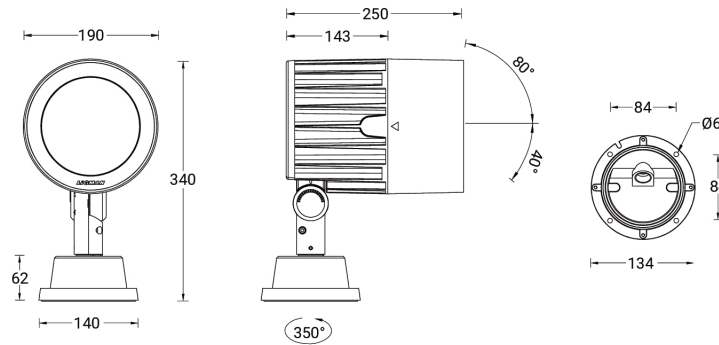
Optic**Product colour****Special finishes upon request**

ODESSA 13 (OD-50152)

Technical information

Material	Aluminium	Optic	N, M, W, VW	Lens / Reflector / Optic	High-efficiency optical reflector, Clear toughened glass	
Light source	1 COB	Optic value	21°, 33°, 48°, 70°	MacAdam Ellipse	3 SDCM	
Power	54 W	CCT / CRI	3000K CRI80, 4000K CRI80	Lifetime L90B10 (hours)	> 109,000, 61,000	
Lumen	5187 - 6024 lm	Dimming type	On/Off, 1-10V, DALI	Lifetime L80B10 (hours)	> 0, 109,000	
Efficacy	96 - 112 lm/W	Product colours	Black, Dark Grey, White, Matt Silver, Bronze, Concrete - Urban, Softscape - Urban, Stone - Urban, Corten - Urban, Oak - Woodland, Walnut - Woodland, Pine - Woodland	Lifetime L80B50 (hours)	> 0, 109,000	
Driver option	Integral control gear			Variants (On/Off, 1-10V, DALI)	Compatible with EN/ IEC 60598-2-22: Suitable for emergency installations as central supply, non-maintained (Z0)	
Driver	Constant current (CC)					
Input voltage	220-240 V 50/60 Hz					
		Weight	6.5 kg			
		Operating temperature	-20 °C to 40 °C			
		Through wiring	Single cable entry			

OD-50152



Accessories



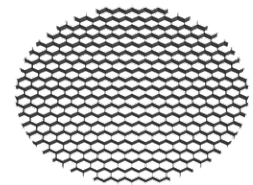
Anti glare visor
A54331



Anti glare louvre
A54531



Linear spread lens
A51814



Honeycomb louvre
A54121

ODESSA 13 (OD-50152)

DALI Control System
Control-DALI

Please contact the factory for technical details if you wish to use Anti-glare accessories, Colour filters, Lenses and slip glasses in combination.