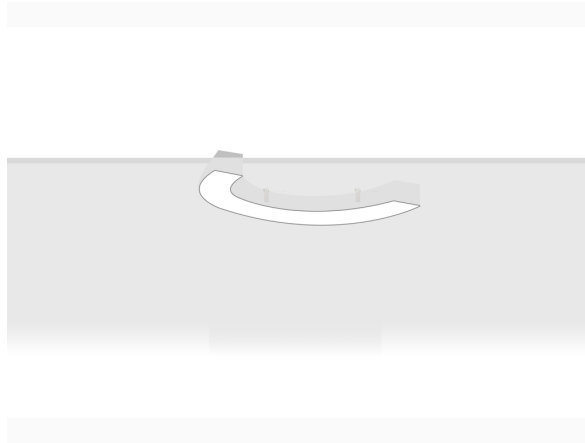


OULU 1 (OUL-80022)



Product description

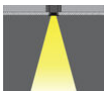
Down - 180° - R750 - TW



Luminaire Structure

- Extruded aluminium bended profile with powder coating
- Stainless steel fasteners in grade 316
- Stainless steel brackets and screws for mounting
- Opal PMMA diffuser (UGR <19) for glare control
- Up and down light distribution options
- Passive thermal management
- Integral control gear
- Remote driver is included for dimming type: 1-10V (-DI)
- Wireless control available through Bluetooth connection
- Daylight and occupancy sensor options

Optic



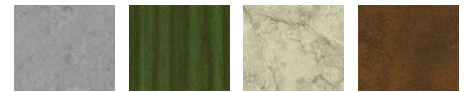
0

Product colour



01 - Black (RAL 9011) 03 - White (RAL 9003) 05 - Matt Silver (RAL 9006)

Special finishes upon request



SU01 - Concrete - Urban SU02 - Softscape - Urban SU03 - Stone - Urban SU04 - Corten - Urban



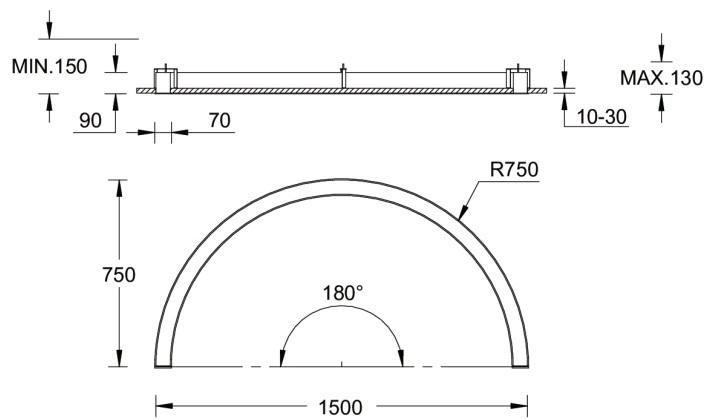
SW01 - Oak - Woodland SW02 - Walnut - Woodland SW03 - Pine - Woodland

OULU 1 (OUL-80022)

Technical information

| | | | | | |
|---------------------|-----------|----------------------|--------------------------|------------------------------|---|
| Material | Aluminium | Driver option | Remote driver (included) | Dimming type | DALI |
| Light source | 576 LED | Driver | Constant current (CC) | Product colours | Black, White, Matt Silver, Concrete - Urban, Softscape - Urban, Stone - Urban, Corten - Urban, Oak - Woodland, Walnut - Woodland, Pine - Woodland |
| Power | 40 W | Input voltage | 250 mA, | Weight | 6.1 kg |
| Lumen | 4096 lm | Optic | 0 | Operating temperature | -20 °C to 40 °C |
| Efficacy | 95 lm/W | CCT / CRI | TW (2700K - 6500K) | Variants (DALI) | Compatible with EN/ IEC 60598-2-22: Suitable for emergency installations as central supply, non-maintained (Z0) |

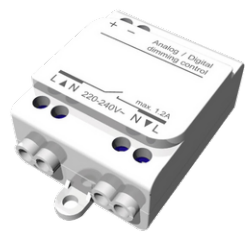
OUL-80022



Accessories



Continuous-coupler bracket
A81781



Wireless bluetooth converter
A90291



Xpress wireless switch
A90591



DALI Control System
Control-DALI