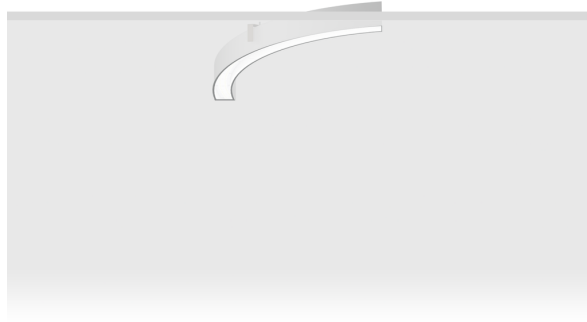


OULU 2 (OUL-80113)



Product description

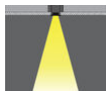
Down - 90° - R750 - RGBW



Luminaire Structure

- Extruded aluminium bended profile with powder coating
- Stainless steel fasteners in grade 316
- Stainless steel brackets and screws for mounting
- Opal PMMA diffuser (UGR <19) for glare control
- Up and down light distribution options
- Passive thermal management
- Integral control gear
- Remote driver is included for dimming type: 1-10V (-DI)
- Wireless control available through Bluetooth connection
- Daylight and occupancy sensor options

Optic



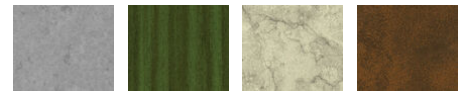
0

Product colour

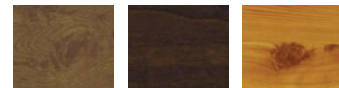


01 - Black (RAL 9011) 03 - White (RAL 9003) 05 - Matt Silver (RAL 9006)

Special finishes upon request



SU01 - Concrete - Urban SU02 - Softscape - Urban SU03 - Stone - Urban SU04 - Corten - Urban



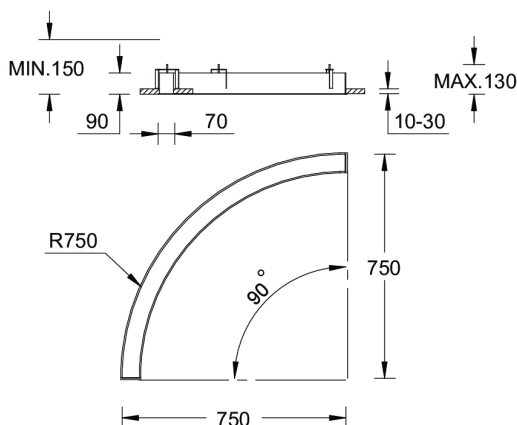
SW01 - Oak - Woodland SW02 - Walnut - Woodland SW03 - Pine - Woodland

OULU 2 (OUL-80113)

Technical information

| | | | | | |
|----------------------|-----------------------|----------------------|-----------------------|--------------------------------|---|
| Material | Aluminium | Driver | Constant current (CC) | Product colours | Black, White, Matt Silver, Concrete |
| Light source | 384 LED | Input voltage | 220-240 V 50/60 Hz | | - Urban, Softscape - Urban, Stone |
| Power | 21 W | Optic | 0 | - Urban, Corten - Urban, Oak - | Woodland, Walnut - Woodland, |
| Lumen | 674 lm | Optic value | Opal | Pine - Woodland | |
| Efficacy | 32 lm/W | CCT / CRI | RGBW40 | Weight | 3.0 kg |
| Driver option | Integral control gear | Dimming type | Bluetooth | Operating temperature | -20 °C to 40 °C |
| | | | | Variants (Bluetooth) | Compatible with EN/ IEC 60598-2-22: Suitable for emergency installations as central supply, non-maintained (Z0) |

OUL-80113



Accessories



Continuous-coupler bracket
A81781



Xpress wireless switch
A90591



DALI Control System
Control-DALI