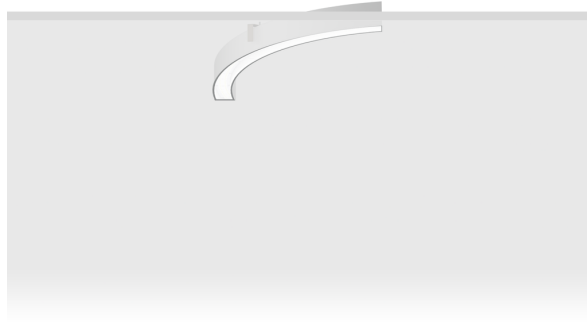


**OULU 2** (OUL-80123)



**Product description**

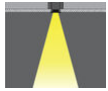
Down - 90° - R1000 - RGBW



**Luminaire Structure**

- Extruded aluminium bended profile with powder coating
- Stainless steel fasteners in grade 316
- Stainless steel brackets and screws for mounting
- Opal PMMA diffuser (UGR <19) for glare control
- Up and down light distribution options
- Passive thermal management
- Integral control gear
- Remote driver is included for dimming type: 1-10V (-DI)
- Wireless control available through Bluetooth connection
- Daylight and occupancy sensor options

**Optic**



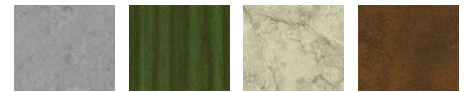
0

**Product colour**

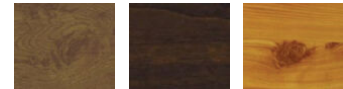


01 - Black (RAL 9011)    03 - White (RAL 9003)    05 - Matt Silver (RAL 9006)

**Special finishes upon request**



SU01 - Concrete - Urban    SU02 - Softscape - Urban    SU03 - Stone - Urban    SU04 - Corten - Urban



SW01 - Oak - Woodland    SW02 - Walnut - Woodland    SW03 - Pine - Woodland

**OULU 2** (OUL-80123)

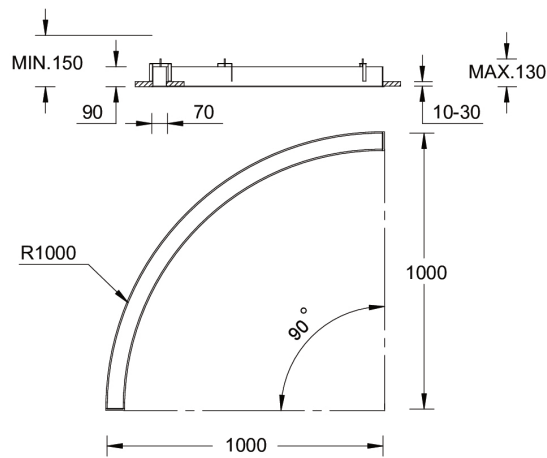
**Technical information**

|                      |                       |
|----------------------|-----------------------|
| <b>Material</b>      | Aluminium             |
| <b>Light source</b>  | 480 LED               |
| <b>Power</b>         | 26 W                  |
| <b>Lumen</b>         | 956 lm                |
| <b>Efficacy</b>      | 37 lm/W               |
| <b>Driver option</b> | Integral control gear |

|                      |                       |
|----------------------|-----------------------|
| <b>Driver</b>        | Constant current (CC) |
| <b>Input voltage</b> | 220-240 V 50/60 Hz    |
| <b>Optic</b>         | 0                     |
| <b>Optic value</b>   | Opal                  |
| <b>CCT / CRI</b>     | RGBW40                |
| <b>Dimming type</b>  | Bluetooth             |

|                              |   |
|------------------------------|---|
| <b>Product colours</b>       | Black, White, Matt Silver, Concrete<br>- Urban, Softscape - Urban, Stone<br>- Urban, Corten - Urban, Oak -<br>Woodland, Walnut - Woodland,<br>Pine - Woodland |
| <b>Weight</b>                | 4.4 kg  |
| <b>Operating temperature</b> | -20 °C to 40 °C   |
| <b>Variants (Bluetooth)</b>  | Compatible with EN/ IEC<br>60598-2-22: Suitable for<br>emergency installations as<br>central supply, non-maintained<br>(Z0)                                   |

OUL-80123



**Accessories**



Continuous-coupler bracket  
**A81781**



Xpress wireless switch  
**A90591**



DALI Control System  
**Control-DALI**