

OULU 5 (OUL-80401)**Product description**

Down - 180° - R250

**Luminaire Structure**

- Integral control gear for On/Off (-ND), DALI (-DA).
Remote driver is included for 1-10V (-DI)

Optic

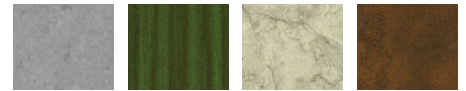
0

Product colour

01 - Black (RAL 9011)

03 - White (RAL 9003)

05 - Matt Silver (RAL 9006)

Special finishes upon request

SU01 - Concrete - Urban

SU02 - Softscape - Urban

SU03 - Stone - Urban

SU04 - Corten - Urban



SW01 - Oak - Woodland



SW02 - Walnut - Woodland



SW03 - Pine - Woodland

OULU 5 (OUL-80401)

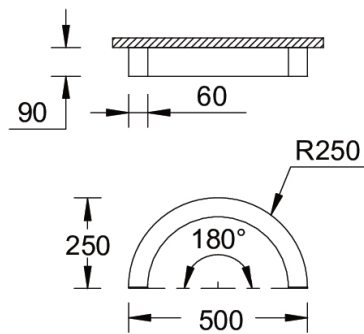
Technical information

| | |
|----------------------|---|
| Material | Aluminium |
| Light source | 96 LED |
| Power | 13 W |
| Lumen | 1185 - 1234 lm |
| Efficacy | 91 - 95 lm/W |
| Driver option | Integral control gear for On/Off (-ND), DALI (-DA). Remote driver is included for 1-10V (-DI) |

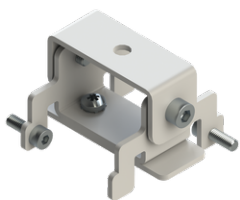
| | |
|----------------------|--------------------------|
| Driver | Constant current (CC) |
| Input voltage | 220-240 V 50/60 Hz |
| Optic | 0 |
| Optic value | Opal |
| CCT / CRI | 3000K CRI80, 4000K CRI80 |
| Dimming type | On/Off, 1-10V, DALI |

| | |
|---------------------------------------|---|
| Product colours | Black, White, Matt Silver, Concrete - Urban, Softscape - Urban, Stone - Urban, Corten - Urban, Oak - Woodland, Walnut - Woodland, Pine - Woodland |
| Weight | 2.1 kg |
| Operating temperature | -20 °C to 40 °C |
| Variants (On/Off, 1-10V, DALI) | Compatible with EN/ IEC 60598-2-22: Suitable for emergency installations as central supply, non-maintained (Z0) |

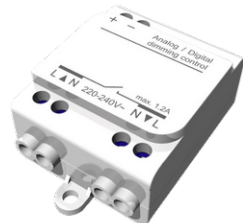
Oulu 250



Accessories



Ceiling-mounting bracket (40 mm profile)
A81381



Wireless bluetooth converter
A90291



Xpress wireless switch
A90591



DALI Control System
Control-DALI