

OULU 5 (OUL-80404)**Product description**

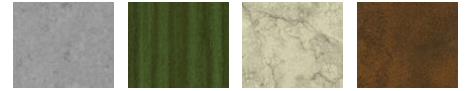
Down - 180° - R250 - RGBW DMX

**Luminaire Structure**

- Integral control gear

Optic

0

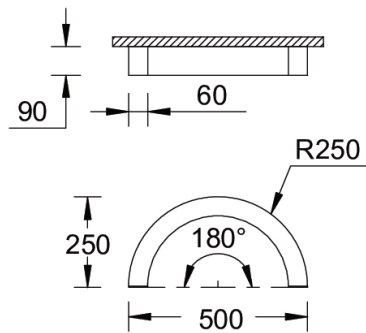
Product colour01 - Black (RAL
9011)03 - White (RAL
9003)05 - Matt Silver
(RAL 9006)**Special finishes upon request**SU01 - Concrete -
UrbanSU02 - Softscape -
UrbanSU03 - Stone -
UrbanSU04 - Corten -
UrbanSW01 - Oak -
WoodlandSW02 - Walnut -
WoodlandSW03 - Pine -
Woodland

OULU 5 (OUL-80404)

Technical information

Material	Aluminium	Driver option	Integral control gear	Dimming type	DMX, DMX/RDM
Light source	192 LED	Driver	Constant current (CC)	Product colours	Black, White, Matt Silver, Concrete - Urban, Softscape - Urban, Stone - Urban, Corten - Urban, Oak - Woodland, Walnut - Woodland, Pine - Woodland
Power	13 W	Input voltage	220-240 V 50/60 Hz	Weight	1.9 kg
Lumen	432 lm	Optic	0	Operating temperature	-20 °C to 40 °C
Efficacy	16 lm/W	CCT / CRI	RGBW40	Variants (DMX/RDM)	Compatible with EN/ IEC 60598-2-22: Suitable for emergency installations as central supply, non-maintained (Z0)

Oulu 250



Accessories



Continuous-coupler bracket
A81781



Recessing box
A61051



DMX Control System
Control-DMX



DMX/RDM Control System
Control-DMX-RDM