

OULU 5 (OUL-80413)



Product description

Down - 180° - R500 - RGBW



Luminaire Structure

- Die-cast aluminium end-caps and extruded aluminium bended profile with powder coating
- Multiple angles available
- Stainless steel fasteners in grade 316
- Steel brackets for ceiling down mounting option

- Opal PMMA diffuser (UGR <19) for glare control
- Up and down light distribution options
- Passive thermal management
- Integral control gear

- Remote driver is included for dimming type: 1-10V (-DI)
- Wireless control available through Bluetooth connection

Optic



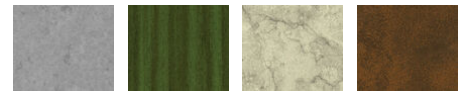
0

Product colour



01 - Black (RAL 9011) 03 - White (RAL 9003) 05 - Matt Silver (RAL 9006)

Special finishes upon request



SU01 - Concrete - Urban SU02 - Softscape - Urban SU03 - Stone - Urban SU04 - Corten - Urban



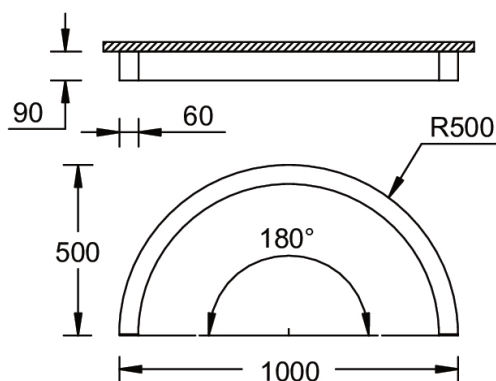
SW01 - Oak - Woodland SW02 - Walnut - Woodland SW03 - Pine - Woodland

OULU 5 (OUL-80413)

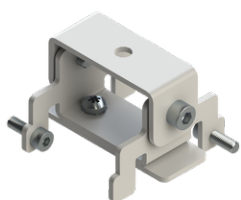
Technical information

| | | | | | |
|----------------------|-----------------------|----------------------|-----------------------|------------------------------|---|
| Material | Aluminium | Driver | Constant current (CC) | Product colours | Black, White, Matt Silver, Concrete - Urban, Softscape - Urban, Stone - Urban, Corten - Urban, Oak - Woodland, Walnut - Woodland, Pine - Woodland |
| Light source | 480 LED | Input voltage | 220-240 V 50/60 Hz | Weight | 3.7 kg |
| Power | 27 W | Optic | 0 | Operating temperature | -20 °C to 40 °C |
| Lumen | 956 lm | Optic value | Opal | Variants (Bluetooth) | Compatible with EN/ IEC 60598-2-22: Suitable for emergency installations as central supply, non-maintained (Z0) |
| Efficacy | 35 lm/W | CCT / CRI | RGBW40 | | |
| Driver option | Integral control gear | Dimming type | Bluetooth | | |

OUL-80413



Accessories



Ceiling-mounting bracket (40 mm profile)
A81381



Continuous-coupler bracket
A81781



Xpress wireless switch
A90591



Recessing box
A61051



DALI Control System
Control-DALI