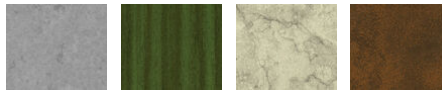


OULU 5 (OUL-80502)**Product description**

Down (Optic) & Up (Optic 2nd) - 180° - R250 - TW

**Luminaire Structure**

- Integral control gear

Product colour01 - Black (RAL
9011)03 - White (RAL
9003)05 - Matt Silver
(RAL 9006)**Special finishes upon request**SU01 - Concrete -
UrbanSU02 - Softscape -
UrbanSU03 - Stone -
UrbanSU04 - Corten -
UrbanSW01 - Oak -
WoodlandSW02 - Walnut -
WoodlandSW03 - Pine -
Woodland

OULU 5 (OUL-80502)

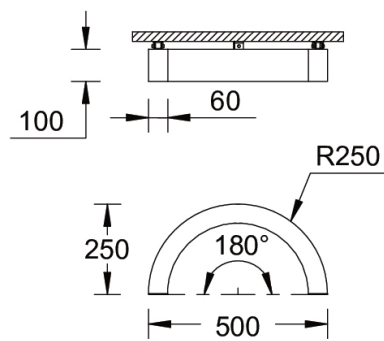
Technical information

Material	Aluminium
Light source	144 LED
Power	26 W
Driver option	Integral control gear
Driver	Constant current (CC)
Input voltage	220-240 V 50/60 Hz

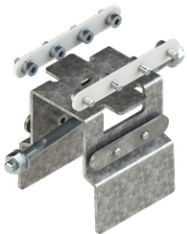
Optic	O
Optic value	Opal
Optic (2nd)	O
Optic (2nd) value	Opal
CCT / CRI	TW (2700K - 6500K)
Dimming type	DALI

Product colours	Black, White, Matt Silver, Concrete - Urban, Softscape - Urban, Stone - Urban, Corten - Urban, Oak - Woodland, Walnut - Woodland, Pine - Woodland
Weight	2.5 kg
Operating temperature	-20 °C to 40 °C
Variants (DALI)	Compatible with EN/ IEC 60598-2-22: Suitable for emergency installations as central supply, non-maintained (Z0)

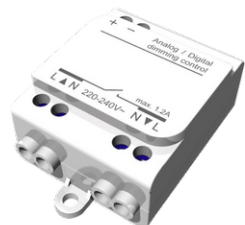
Oulu 250



Accessories



Continuous-coupler bracket
A81781



Wireless bluetooth converter
A90291



Xpress wireless switch
A90591



DALI Control System
Control-DALI