

OULU 5 (OUL-80511)



Product description

Down (Optic) & Up (Optic 2nd) - 180° - R500



Luminaire Structure

- Die-cast aluminium end-caps and extruded aluminium bended profile with powder coating
- Multiple angles available
- Stainless steel fasteners in grade 316
- Steel brackets for ceiling down mounting option

- Opal PMMA diffuser (UGR <19) for glare control
- Up and down light distribution options
- Passive thermal management
- Integral control gear

- Remote driver is included for dimming type: 1-10V (-DI)
- Wireless control available through Bluetooth connection

Optic



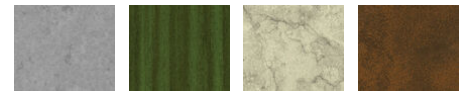
0 / O

Product colour



01 - Black (RAL 9011) 03 - White (RAL 9003) 05 - Matt Silver (RAL 9006)

Special finishes upon request



SU01 - Concrete - Urban SU02 - Softscape - Urban SU03 - Stone - Urban SU04 - Corten - Urban



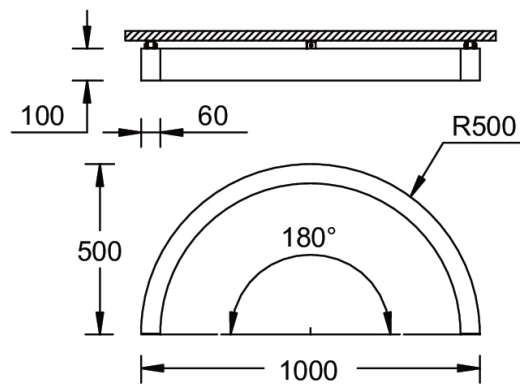
SW01 - Oak - Woodland SW02 - Walnut - Woodland SW03 - Pine - Woodland

OULU 5 (OUL-80511)

Technical information

Material	Aluminium	Driver	Constant current (CC)	CCT / CRI	3000K CRI80, 4000K CRI80
Light source	192 LED	Input voltage	220-240 V 50/60 Hz	Dimming type	On/Off, 1-10V, DALI
Power	54 W	Optic	O	Product colours	Black, White, Matt Silver, Concrete - Urban, Softscape - Urban, Stone - Urban, Corten - Urban, Oak - Woodland, Walnut - Woodland, Pine - Woodland
Lumen	5235 - 5464 lm	Optic value	Opal		
Efficacy	97 - 101 lm/W	Optic (2nd)	O		
Driver option	Integral control gear for On/Off (-ND), DALI (-DA). Remote driver is included for 1-10V (-DI)	Optic (2nd) value	Opal	Weight	4.8 kg
				Operating temperature	-20 °C to 40 °C
				Variants (On/Off, 1-10V, DALI)	Compatible with EN/ IEC 60598-2-22: Suitable for emergency installations as central supply, non-maintained (Z0)

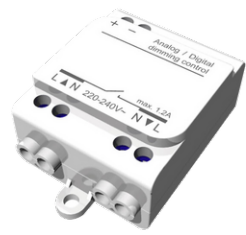
OUL-80511



Accessories



Continuous-coupler bracket
A81781



Wireless bluetooth converter
A90291



Xpress wireless switch
A90591



DALI Control System
Control-DALI