

**OULU 6 (OUL-80711)**



**Product description**

Down (Optic) & Up (Optic 2nd) - 90° - R750



**Luminaire Structure**

- Die-cast aluminium end-caps and extruded aluminium bended profile with powder coating
- Multiple angles available
- Stainless steel fasteners in grade 316
- Steel brackets for ceiling down mounting option

- Opal PMMA diffuser (UGR <19) for glare control
- Up and down light distribution options
- Passive thermal management
- Integral control gear

- Remote driver is included for dimming type: 1-10V (-DI)
- Wireless control available through Bluetooth connection

**Optic**



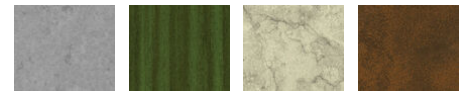
O / O

**Product colour**



01 - Black (RAL 9011)    03 - White (RAL 9003)    05 - Matt Silver (RAL 9006)

**Special finishes upon request**



SU01 - Concrete - Urban    SU02 - Softscape - Urban    SU03 - Stone - Urban    SU04 - Corten - Urban



SW01 - Oak - Woodland    SW02 - Walnut - Woodland    SW03 - Pine - Woodland

**OULU 6 (OUL-80711)**

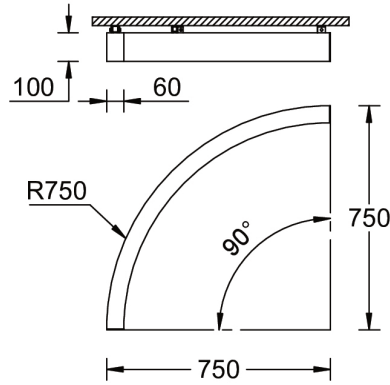
**Technical information**

<b>Material</b>	Aluminium
<b>Light source</b>	144 LED
<b>Power</b>	37 W
<b>Lumen</b>	3851 - 4011 lm
<b>Efficacy</b>	104 - 108 lm/W
<b>Driver option</b>	Integral control gear for On/Off (-ND), DALI (-DA). Remote driver is included for 1-10V (-DI)

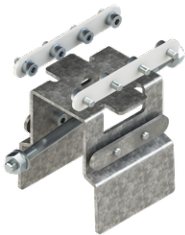
<b>Driver</b>	Constant current (CC)
<b>Input voltage</b>	220-240 V 50/60 Hz
<b>Optic</b>	O
<b>Optic value</b>	Opal
<b>Optic (2nd)</b>	O
<b>Optic (2nd) value</b>	Opal

<b>CCT / CRI</b>	3000K CRI80, 4000K CRI80
<b>Dimming type</b>	On/Off, 1-10V, DALI
<b>Product colours</b>	Black, White, Matt Silver, Concrete - Urban, Softscape - Urban, Stone - Urban, Corten - Urban, Oak - Woodland, Walnut - Woodland, Pine - Woodland
<b>Weight</b>	3.9 kg
<b>Operating temperature</b>	-20 °C to 40 °C
<b>Variants (On/Off, 1-10V, DALI)</b>	Compatible with EN/ IEC 60598-2-22: Suitable for emergency installations as central supply, non-maintained (Z0)

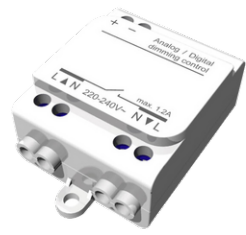
OUL-80711



**Accessories**



Continuous-coupler bracket  
**A81781**



Wireless bluetooth converter  
**A90291**



Xpress wireless switch  
**A90591**



DALI Control System  
**Control-DALI**