

**OULU 7** (OUL-80911)



**Product description**

Down (Optic) & Up (Optic 2nd) - 45° - R1250 - White light



**Luminaire Structure**

- Die-cast aluminium end-caps and extruded aluminium bended profile with powder coating
- Multiple angles available
- Stainless steel fasteners in grade 316
- Steel brackets for ceiling down mounting option

- Opal PMMA diffuser (UGR <19) for glare control
- Up and down light distribution options
- Passive thermal management
- Integral control gear

- Remote driver is included for dimming type: 1-10V (-DI)
- Wireless control available through Bluetooth connection

**Optic**



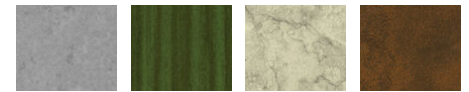
0 / 0

**Product colour**



01 - Black (RAL 9011)    03 - White (RAL 9003)    05 - Matt Silver (RAL 9006)

**Special finishes upon request**



SU01 - Concrete - Urban    SU02 - Softscape - Urban    SU03 - Stone - Urban    SU04 - Corten - Urban



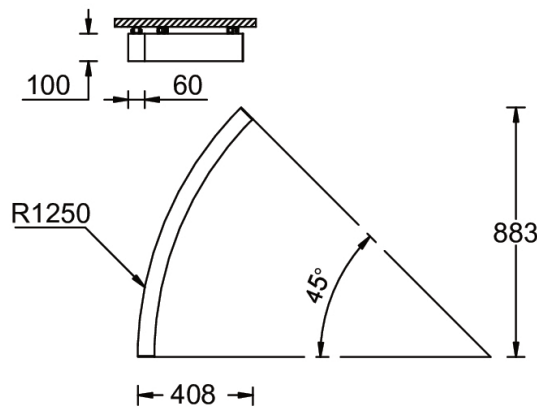
SW01 - Oak - Woodland    SW02 - Walnut - Woodland    SW03 - Pine - Woodland

**OULU 7 (OUL-80911)**

**Technical information**

|                      |   |                          |                       |                                       |   |
|----------------------|---|--------------------------|-----------------------|---------------------------------------|---|
| <b>Material</b>      | Aluminium   | <b>Driver</b>            | Constant current (CC) | <b>CCT / CRI</b>                      | 3000K CRI80, 4000K CRI80  |
| <b>Light source</b>  | 120 & 120 LED   | <b>Input voltage</b>     | 220-240 V 50/60 Hz    | <b>Dimming type</b>                   | On/Off, 1-10V, DALI   |
| <b>Power</b>         | 31 W  | <b>Optic</b>             | O                     | <b>Product colours</b>                | Black, White, Matt Silver,<br>Concrete - Urban, Softscape -<br>Urban, Stone - Urban, Corten -<br>Urban, Oak - Woodland, Walnut -<br>Woodland, Pine - Woodland |
| <b>Lumen</b>         | 3179 - 3311 lm  | <b>Optic value</b>       | Opal                  |                                       |   |
| <b>Efficacy</b>      | 103 - 107 lm/W  | <b>Optic (2nd)</b>       | O                     |                                       |   |
| <b>Driver option</b> | Integral control gear for On/Off (-ND), DALI (-DA). Remote driver is included for 1-10V (-DI) | <b>Optic (2nd) value</b> | Opal                  | <b>Weight</b>                         | 3.5 kg  |
|                      |   |                          |                       | <b>Operating temperature</b>          | -20 °C to 40 °C   |
|                      |   |                          |                       | <b>Variants (On/Off, 1-10V, DALI)</b> | Compatible with EN/ IEC 60598-2-22: Suitable for emergency installations as central supply, non-maintained (Z0)   |

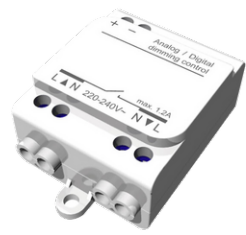
OUL-80911



**Accessories**



Continuous-coupler bracket  
**A81781**



Wireless bluetooth converter  
**A90291**



Xpress wireless switch  
**A90591**



DALI Control System  
**Control-DALI**