

OULU 10 (OUL-90203)



Product description

Down - 90° - R500 - RGBW



Luminaire Structure

- Extruded aluminium bended profile with powder coating
- Stainless steel fasteners in grade 316
- Stainless steel, adjustable, suspension (1.5 m) complete with electrical wires in white for mounting
- Opal PMMA diffuser (UGR <19) for glare control

- Up and down light distribution options
- Passive thermal management
- Integral control gear
- Remote driver is included for dimming type: 1-10V (-DI)

- Wireless control available through Bluetooth connection
- Daylight and occupancy sensor options

Optic



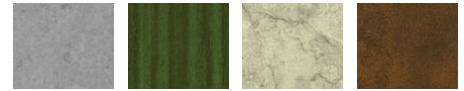
0

Product colour



01 - Black (RAL 9011) 03 - White (RAL 9003) 05 - Matt Silver (RAL 9006)

Special finishes upon request



SU01 - Concrete - Urban SU02 - Softscape - Urban SU03 - Stone - Urban SU04 - Corten - Urban



SW01 - Oak - Woodland SW02 - Walnut - Woodland SW03 - Pine - Woodland

OULU 10 (OUL-90203)

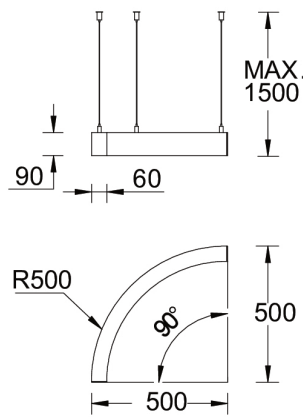
Technical information

| | |
|---------------------|-----------|
| Material | Aluminium |
| Light source | 240 LED |
| Power | 13 W |
| Lumen | 439 lm |
| Efficacy | 34 lm/W |

| | |
|----------------------|--------------------------|
| Driver option | Remote driver (included) |
| Driver | Constant current (CC) |
| Input voltage | 200 mA, |
| Optic | 0 |
| CCT / CRI | RGBW30, RGBW40 |

| | |
|------------------------------|---|
| Dimming type | Bluetooth |
| Product colours | Black, White, Matt Silver, Concrete - Urban, Softscape - Urban, Stone - Urban, Corten - Urban, Oak - Woodland, Walnut - Woodland, Pine - Woodland |
| Weight | 2.2 kg |
| Operating temperature | -20 °C to 40 °C |
| Variants (Bluetooth) | Compatible with EN/ IEC 60598-2-22: Suitable for emergency installations as central supply, non-maintained (ZO) |

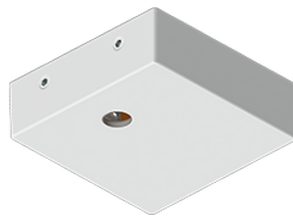
OUL-90203



Accessories



Continuous-coupler bracket
A81781



Supply cable surface mounting box
A80981



Xpress wireless switch
A90591



DALI Control System
Control-DALI