

**OULU 11** (OUL-90432)



**Product description**

Down - 45° - R2000 - TW



**Luminaire Structure**

- Extruded aluminium bended profile with powder coating
- Stainless steel fasteners in grade 316
- Stainless steel, adjustable, suspension (1.5 m) complete with electrical wires in white for mounting
- Opal PMMA diffuser (UGR <19) for glare control

- Up and down light distribution options
- Passive thermal management
- Integral control gear
- Remote driver is included for dimming type: 1-10V (-DI)

- Wireless control available through Bluetooth connection
- Daylight and occupancy sensor options

**Optic**



0

**Product colour**



01 - Black (RAL 9011)    03 - White (RAL 9003)    05 - Matt Silver (RAL 9006)

**Special finishes upon request**



SU01 - Concrete - Urban    SU02 - Softscape - Urban    SU03 - Stone - Urban    SU04 - Corten - Urban



SW01 - Oak - Woodland    SW02 - Walnut - Woodland    SW03 - Pine - Woodland

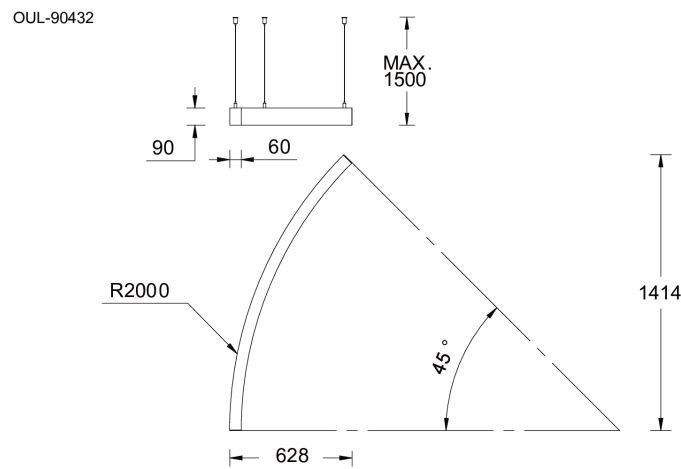
**OULU 11 (OUL-90432)**

**Technical information**

|                     |           |
|---------------------|-----------|
| <b>Material</b>     | Aluminium |
| <b>Light source</b> | 384 LED   |
| <b>Power</b>        | 26 W      |
| <b>Lumen</b>        | 2730 lm   |
| <b>Efficacy</b>     | 101 lm/W  |

|                      |                       |
|----------------------|-----------------------|
| <b>Driver option</b> | Integral control gear |
| <b>Driver</b>        | Constant current (CC) |
| <b>Input voltage</b> | 220-240 V 50/60 Hz    |
| <b>Optic</b>         | 0                     |
| <b>CCT / CRI</b>     | TW (2700K - 6500K)    |

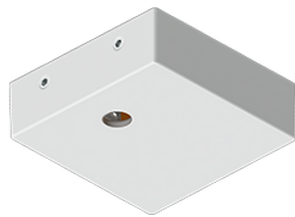
|                              |   |
|------------------------------|---|
| <b>Dimming type</b>          | DALI  |
| <b>Product colours</b>       | Black, White, Matt Silver, Concrete - Urban, Softscape - Urban, Stone - Urban, Corten - Urban, Oak - Woodland, Walnut - Woodland, Pine - Woodland |
| <b>Weight</b>                | 4.4 kg  |
| <b>Operating temperature</b> | -20 °C to 40 °C   |
| <b>Variants (DALI)</b>       | Compatible with EN/ IEC 60598-2-22: Suitable for emergency installations as central supply, non-maintained (Z0)                                   |



**Accessories**



Continuous-coupler bracket  
**A81781**



Supply cable surface mounting box  
**A80981**



Wireless bluetooth converter  
**A90291**



Xpress wireless switch  
**A90591**

**OULU 11** (OUL-90432)



DALI Control System  
**Control-DALI**

---