

**PIAZZA (PI-80011)****Luminaire Structure**

- Eco-friendly LED product for energy saving and visual consistency.
- Durability with future proofing.
- Extremely energy efficient with output equivalent to a 40W T5, up to 25% energy consumption.
- Dimming options available.
- No LEDs visible due to the specifically designed lens.
- Soft upward illumination through the sides of the lens.
- Excellent CRI for actual colour reproduction.
- Die-cast aluminium / White coated
- Thermal tested and controlled
- Injection moulded twist fit lens
- Poly carbonate lens

**Optic****G****Product colour**

08 - Glossy White (RAL 9010)    09 - Glossy Black (HB451022M)

**PIAZZA (PI-80011)**

**Technical information**

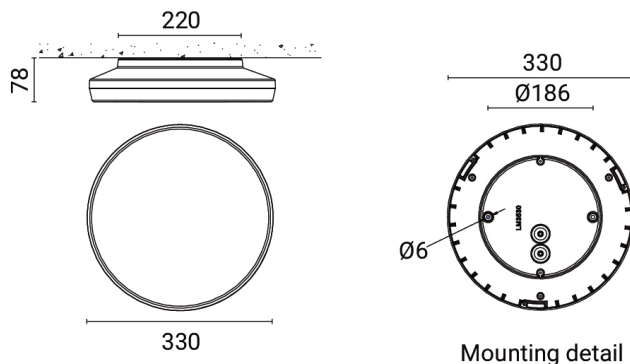
<b>Material</b>	Aluminium
<b>Light source</b>	50 LED
<b>Power</b>	31 W
<b>Lumen</b>	2713 - 2809 lm
<b>Efficacy</b>	88 - 91 lm/W
<b>Driver option</b>	Integral control gear
<b>Driver</b>	Constant current (CC)

<b>Input voltage</b>	220-240 V 50/60 Hz
<b>Optic</b>	G
<b>Optic value</b>	118
<b>CCT / CRI</b>	3000K CRI80, 4000K CRI80
<b>Dimming type</b>	On/Off, 1-10V, DALI
<b>Product colours</b>	Glossy White, Glossy Black
<b>Weight</b>	2.2 kg

<b>Operating temperature</b>	-20 °C to 40 °C
<b>Lens / Reflector / Optic</b>	Opal UV-stabilised polycarbonate diffuser
<b>MacAdam Ellipse</b>	3 SDCM
<b>Lifetime L90B10 (hours)</b>	> 23,000
<b>Lifetime L80B10 (hours)</b>	> 45,000
<b>Lifetime L80B50 (hours)</b>	> 49,000

**Variants (1-10V, DALI)** Compatible with EN/ IEC 60598-2-22: Suitable for emergency installations as central supply, non-maintained (Z0)

PI-80011



**Accessories**



DALI Control System  
Control-DALI