

PITTSBURGH 5 (PIB-30016)



Product description

Medium - RGBW

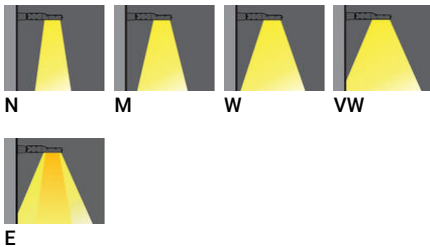


microPrim™

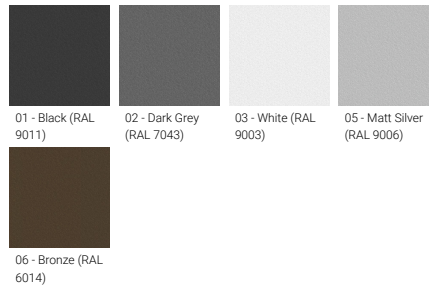
Luminaire structure

- Extruded aluminium housing
- Pre-treated before powder coating ensuring high corrosion resistance
- Thermal heat dissipation body
- Single cable entry
- Stainless steel fasteners in grade 304 with zinc flake coating (ZFC)
- Durable silicone rubber gasket
- Clear toughened glass
- High-efficiency polycarbonate lens
- Integral control gear
- Surge protection 10kV

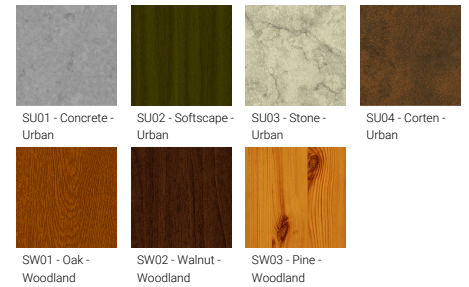
Optic



Product colour



Special finishes upon request



PITTSBURGH 5 (PIB-30016)

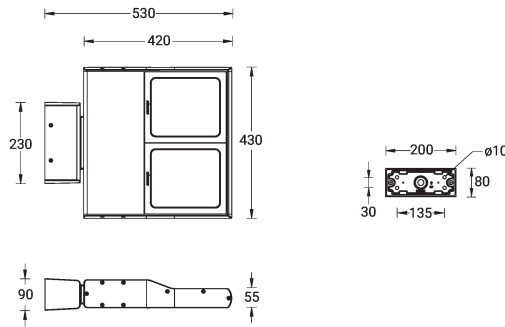
Technical information

| | |
|----------------------|-----------------------|
| Material | Aluminium |
| Light source | 2 x 32 LED |
| Power | 133 W |
| Lumen | 8288 - 10755 lm |
| Efficacy | 62 - 81 lm/W |
| Driver option | Integral control gear |
| Driver | Constant current (CC) |

| | |
|----------------------|--|
| Input voltage | 220-240 V 50/60 Hz |
| Optic | N, M, W, VW, E |
| Optic value | 8°, 14°, 29°, 61°x68°, 43°x9° |
| CCT / CRI | RGBW30, RGBW40 |
| Bug | B3-U0-G0, B4-U0-G0, B4-U0-G1, B5-U0-G0 |
| ULR | <1% |
| ULOR | <1% |

| | |
|---------------------------------|--|
| CIE flux code n°3 | 100 |
| Dimming type | DMX/RDM |
| Product colours | Black, Dark Grey, White, Matt Silver, Bronze, Concrete - Urban, Softscape - Urban, Stone - Urban, Corten - Urban, Oak - Woodland, Walnut - Woodland, Pine - Woodland |
| Weight | 13.0 kg |
| Operating temperature | -20 °C to 40 °C |
| Through wiring | Single cable entry |
| Lens / Reflector / Optic | Clear toughened glass, High-efficiency polycarbonate lens |

PIB-30016



PITTSBURGH 5 (PIB-30016)

Accessory



DMX/RDM Control System
Control-DMX-RDM
