

**PITTSBURGH 2 (PIB-50016)**



**Product description**

Medium - RGBW

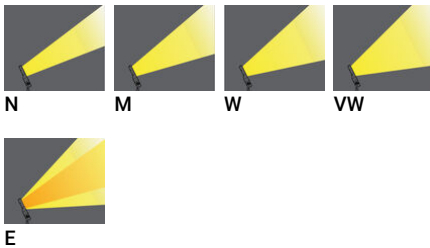


microPrim™

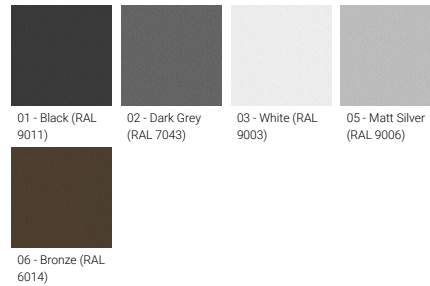
**Luminaire Structure**

- Extruded aluminium housing
- Pre-treated before powder coating ensuring high corrosion resistance
- Galvanized steel arm mounted
- Thermal heat dissipation body
- Single cable entry, through wiring upon request
- Three IP68 connectors supplied with 0.2 m of 3x1.0 sqmm outdoor cable and 2x0.2 m of 2x0.5 sqmm outdoor shielded cable
- Stainless steel fasteners in grade 304 with zinc flake coating (ZFC)
- Durable silicone rubber gasket
- High-efficiency polycarbonate lens
- Clear toughened glass
- Integral control gear
- Surge protection 10kV

**Optic**



**Product colour**



**Special finishes upon request**



**PITTSBURGH 2 (PIB-50016)**

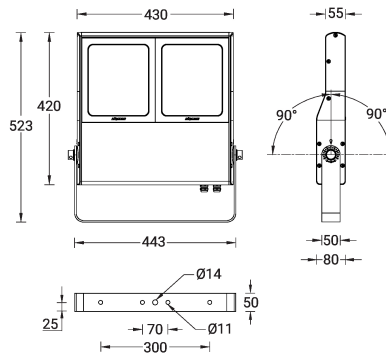
**Technical information**

<b>Material</b>	Aluminium
<b>Light source</b>	2 x 36 LED
<b>Power</b>	145 W
<b>Lumen</b>	7876 - 10221 lm
<b>Efficacy</b>	54 - 70 lm/W
<b>Driver option</b>	Integral control gear
<b>Driver</b>	Constant current (CC)
<b>Input voltage</b>	220-240 V 50/60 Hz

<b>Optic</b>	N, M, W, VW, E
<b>Optic value</b>	8°, 14°, 29°, 72°, 43°x9°
<b>CCT / CRI</b>	RGBW30, RGBW40
<b>Bug</b>	B3-U0-G0, B4-U0-G0, B4-U0-G1, B5-U0-G0
<b>ULR</b>	<1%
<b>ULOR</b>	<1%
<b>CIE flux code n°3</b>	100
<b>Dimming type</b>	DMX/RDM

<b>Product colours</b>	Black, Dark Grey, White, Matt Silver, Bronze, Concrete - Urban, Softscape - Urban, Stone - Urban, Corten - Urban, Oak - Woodland, Walnut - Woodland, Pine - Woodland
<b>Weight</b>	13.0 kg
<b>EPA (m2)</b>	0.191
<b>Cable</b>	Three IP68 connectors supplied with 0.2 m of 3x1.0 sqmm outdoor cable and 2x0.2 m of 2x0.5 sqmm outdoor shielded cable
<b>Through wiring</b>	Single cable entry, through wiring upon request
<b>Lens / Reflector / Optic</b>	High-efficiency polycarbonate lens, Clear toughened glass

PIB-50016



**PITTSBURGH 2** (PIB-50016)**Accessory**

---



---

Anti-glare visor  
**A54931**

---



---

Anti-glare louvre  
**A55031**

---



---

DMX/RDM Control System  
**Control-DMX-RDM**

---

Please contact the factory for technical details if you wish to use Anti-glare accessories, Colour filters, Lenses and slip glasses in combination.