

PITTSBURGH 3 (PIB-50022) (Version 1)



Product description

Large



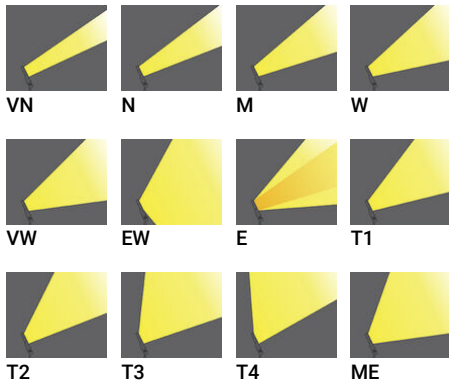
Luminaire Structure

- Extruded aluminium housing
- Pre-treated before powder coating ensuring high corrosion resistance
- Galvanized steel arm mounted
- Thermal heat dissipation body
- Single cable entry, through wiring upon request

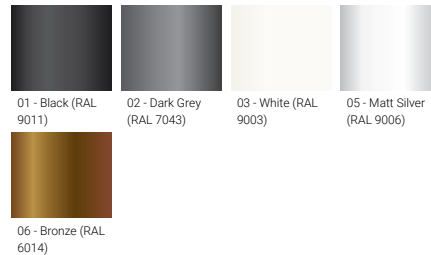
- One IP68 connector supplied with 0.2 m of 3x1.0 sqmm outdoor cable
- Stainless steel fasteners in grade 304 with zinc flake coating (ZFC)
- Durable silicone rubber gasket
- High-efficiency polycarbonate lens
- Clear toughened glass

- Integral control gear
- Surge protection 10kV

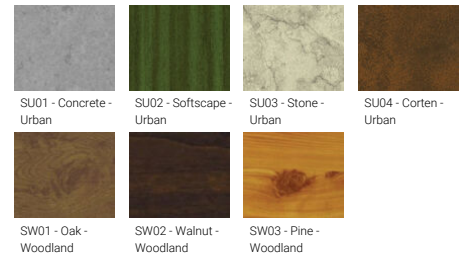
Optic



Product colour



Special finishes upon request



PITTSBURGH 3 (PIB-50022) (Version 1)

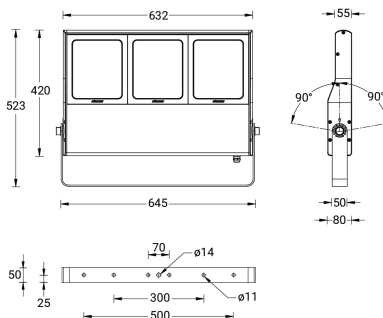
Technical information

Material	Aluminium
Light source	3 x 36 LED
Power	170 W
Lumen	15265 - 25161 lm
Efficacy	90 - 148 lm/W
Driver option	Integral control gear
Driver	Constant current (CC)

Input voltage	220-240V 50/60Hz
Optic	VN, N, M, W, VW, EW, E, T1, T2, T3, T4, ME
Optic value	5°, 12°, 25°, 53°, 65°, 106°, 94°x28°, 145°x67°, 137°x40°, 132°x32°, 94°x64°, 124°x60°
CCT / CRI	3000K CRI80, 4000K CRI80
Bug	B2-U0-G2, B3-U0-G2, B3-U0-G3, B4-U0-G1, B5-U0-G0, B5-U0-G1, B5-U0-G2
CIE flux code n°3	100, 98, 99
Dimming type	On/Off, 1-10V, DALI

Product colours	Black, Dark Grey, White, Matt Silver, Bronze, Concrete - Urban, Softscape - Urban, Stone - Urban, Corten - Urban, Oak - Woodland, Walnut - Woodland, Pine - Woodland
Weight	16 kg
Operating temperature	-20 °C to 50 °C
Cable	One IP68 connector supplied with 0.2 m of 3x1.0 sqmm outdoor cable
Through wiring	Single cable entry, through wiring upon request
Lens / Reflector / Optic	High-efficiency polycarbonate lens, Clear toughened glass
Variants (On/Off, 1-10V, DALI)	Compatible with EN/ IEC 60598-2-22: Suitable for emergency installations as central supply, non-maintained (ZO)

PIB-50022



Accessories



Anti-glare visor
A55131



Anti-glare louvre
A55231

Please contact the factory for technical details if you wish to use Anti-glare accessories, Colour filters, Lenses and slip glasses in combination.