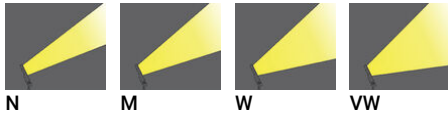


PITTSBURGH 3 (PIB-50025)**IP66****IK08****Product description**

Large - RGBW

**Luminaire Structure**

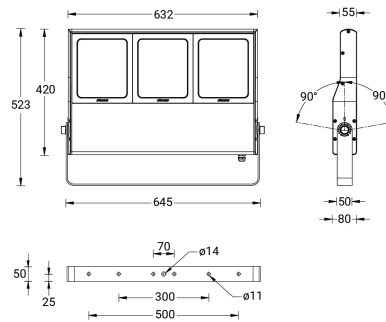
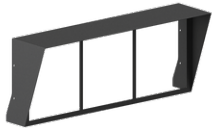
- Extruded aluminium housing
- Pre-treated before powder coating ensuring high corrosion resistance
- Galvanized steel arm mounted
- Thermal heat dissipation body
- Single cable entry, through wiring upon request
- Three IP68 connectors supplied with 0.2 m of 3x1.0 sqmm outdoor cable and 2x0.2 m of 2x0.5 sqmm outdoor shielded cable
- Stainless steel fasteners in grade 304 with zinc flake coating (ZFC)
- Durable silicone rubber gasket
- High-efficiency polycarbonate lens
- Clear toughened glass
- Integral control gear
- Surge protection 10kV

Optic

PITTSBURGH 3 (PIB-50025)
Technical information

Material	Aluminium	Driver	Constant current (CC)	Weight	16 kg
Light source	3 x 36 LED	Input voltage	220-240 V 50/60 Hz	Cable	Three IP68 connectors supplied with 0.2 m of 3x1.0 sqmm outdoor cable and 2x0.2 m of 2x0.5 sqmm outdoor shielded cable
Power	180 W	Optic	N, M, W, VW, E	Through wiring	Single cable entry, through wiring upon request
Lumen	8490 - 10866 lm	Optic value	9°, 16°, 33°, 64°, 43°x10°	Lens / Reflector / Optic	High-efficiency polycarbonate lens, Clear toughened glass
Efficacy	47 - 60 lm/W	CCT / CRI	RGBW30, RGBW40		
Driver option	Integral control gear	Dimming type	DMX/RDM		

PIB-50025


Accessories

 Anti-glare visor
A55131

 Anti-glare louvre
A55231

 DMX/RDM Control System
Control-DMX-RDM

Please contact the factory for technical details if you wish to use Anti-glare accessories, Colour filters, Lenses and slip glasses in combination.