

PITTSFIELD 3 (PIT-80214)



Product description

Down - 1060 mm - RGBW



Luminaire Structure

- Extruded aluminium bended rectangular profile with powder coating
- Stainless steel fasteners in grade 316
- PMMA diffuser with Opal (UGR <19) and micro prismatic (UGR <13) options for better glare control

- Down light distribution only
- Passive thermal management
- Integral control gear

- Remote driver is included if dimming options require
- Wireless control available through Bluetooth connection
- Emergency module (1 or 3 hours) is available upon request with 3 options (BASIC, SELF-TEST, PRO-DALI)

Optic



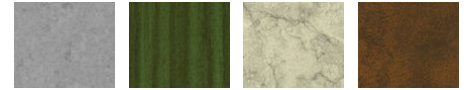
P

Product colour



01 - Black (RAL 9011) 03 - White (RAL 9003) 05 - Matt Silver (RAL 9006)

Special finishes upon request



SU01 - Concrete - Urban SU02 - Softscape - Urban SU03 - Stone - Urban SU04 - Corten - Urban



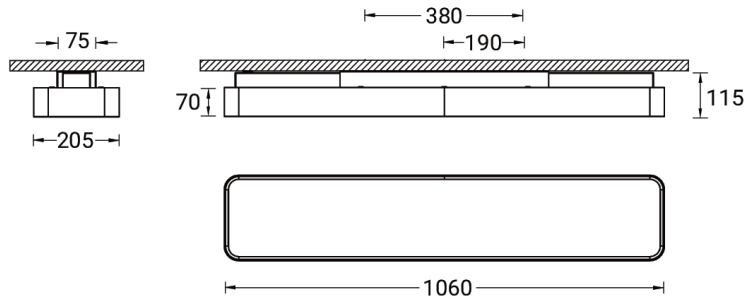
SW01 - Oak - Woodland SW02 - Walnut - Woodland SW03 - Pine - Woodland

PITTSFIELD 3 (PIT-80214)

Technical information

Material	Aluminium	Input voltage	220-240 V 50/60 Hz	Operating temperature	-20 °C to 40 °C
Light source	1728 LED	Optic	O, P	MacAdam Ellipse	3 SDCM
Power	54 W	Optic value	Opal, Micro-prismatic	Lifetime L90B10 (hours)	> 23,000
Lumen	1905 lm	CCT / CRI	RGBW40	Lifetime L80B10 (hours)	> 45,000
Efficacy	35 lm/W	Dimming type	Bluetooth	Lifetime L80B50 (hours)	> 50,000
Driver option	Integral control gear	Product colours	Black, White, Matt Silver, Concrete - Urban, Softscape - Urban, Stone - Urban, Corten - Urban, Oak - Woodland, Walnut - Woodland, Pine - Woodland	Variants (Bluetooth)	Compatible with EN/ IEC 60598-2-22: Suitable for emergency installations as central supply, non-maintained (Z0)
Driver	Constant current (CC)				
		Weight	5.6 kg		

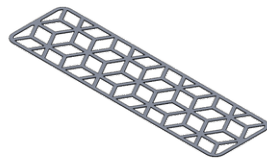
PIT-80214



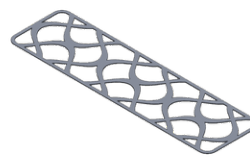
Accessories



Decorative pattern - Type A for PITTSFIELD 720 mm
A91921



Decorative pattern - Type B for PITTSFIELD 720 mm
A93321



Decorative pattern - Type C for PITTSFIELD 720 mm
A94721



Xpress wireless switch
A90591

PITTSFIELD 3 (PIT-80214)



Recessing box
A61051



DALI Control System
Control-DALI