

PITTSFIELD 4 (PIT-90114)



Product description

Down (Optic) & Up (Optic 2nd) - 1060 mm- RGBW



Luminaire Structure

- Extruded aluminium bended profile with powder coating
- Stainless steel fasteners in grade 316
- Stainless steel, adjustable, suspension (1.5 m) complete with electrical wires in white for mounting
- PMMA diffuser with Opal (UGR <19) and micro prismatic (UGR <13) options for better glare control

- Up and down light distribution options
- Passive thermal management
- Integral control gear
- Wireless control available through Bluetooth connection

- Daylight and occupancy sensor options
- Emergency module (1 or 3 hours) is available upon request with 3 options (BASIC, SELF-TEST, PRO-DALI)

Optic



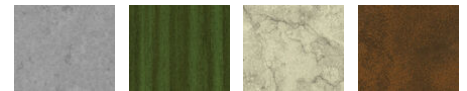
P

Product colour



01 - Black (RAL 9011) 03 - White (RAL 9003) 05 - Matt Silver (RAL 9006)

Special finishes upon request



SU01 - Concrete - Urban SU02 - Softscape - Urban SU03 - Stone - Urban SU04 - Corten - Urban



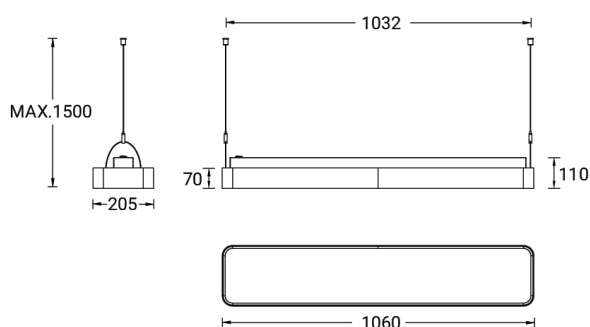
SW01 - Oak - Woodland SW02 - Walnut - Woodland SW03 - Pine - Woodland

PITTSFIELD 4 (PIT-90114)

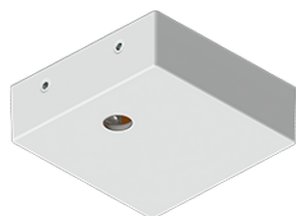
Technical information

Material	Aluminium	Driver option	Integral control gear	CCT / CRI	RGBW40
Light source	1728 & 960 LED	Driver	Constant current (CC)	Dimming type	Bluetooth
Power	84 W	Input voltage	220-240 V 50/60 Hz	Product colours	Black, White, Matt Silver, Concrete - Urban, Softscape - Urban, Stone - Urban, Corten - Urban, Oak - Woodland, Walnut - Woodland, Pine - Woodland
Lumen	1831 lm	Optic	O, P		
Efficacy	22 lm/W	Optic value	Opal, Micro-prismatic		
				Weight	5.2 kg
				Operating temperature	-20 °C to 40 °C

PIT-90114



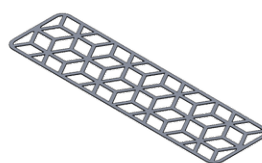
Accessories



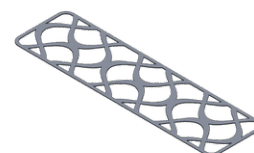
Supply cable surface mounting box
A80981



Decorative pattern - Type A for PITTSFIELD 720 mm
A91921



Decorative pattern - Type B for PITTSFIELD 720 mm
A93321



Decorative pattern - Type C for PITTSFIELD 720 mm
A94721



Xpress wireless switch
A90591



Recessing box
A61051



DALI Control System
Control-DALI