

POWERMISSION 2 (PO29-GP041-SO-30) (Version 1)**Product description**

Made to order for 30 W Vertical solar PV pole

**Luminaire Structure**

- Clear toughened glass
- High-efficiency polycarbonate lens

- Integral control gear

Optic**T2****T3****T4****Product colour**

01 - Black (RAL 9011)

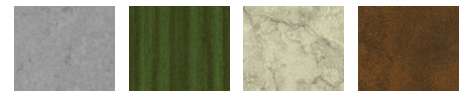
02 - Dark Grey (RAL 7043)

03 - White (RAL 9003)

05 - Matt Silver (RAL 9006)



06 - Bronze (RAL 6014)

Special finishes upon request

SU01 - Concrete - Urban

SU02 - Softscape - Urban

SU03 - Stone - Urban

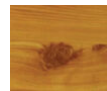
SU04 - Corten - Urban



SW01 - Oak - Woodland



SW02 - Walnut - Woodland



SW03 - Pine - Woodland

POWERMISSION 2 (PO29-GP041-SO-30) (Version 1)

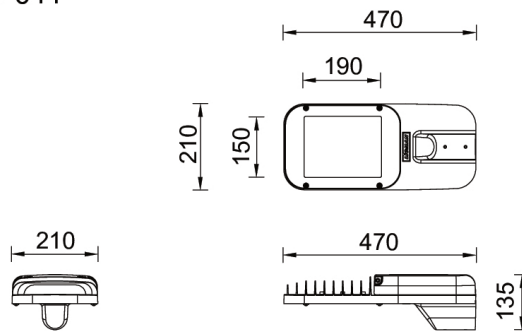
Technical information

Material	Aluminium
Light source	12 LED
Power	30 W
Lumen	3764 - 4214 lm
Efficacy	125 - 140 lm/W
Driver option	Integral control gear
Driver	Constant current (CC)

Input voltage	Solar 36 VDC
Optic	T2, T3, T4
Optic value	142°x53°, 141°x69°, 99°x79°
CCT / CRI	3000K CRI80, 4000K CRI80
Bug	B1-U0-G1
ULR	0%
ULOR	0%

CIE flux code n°3	97
Dimming type	Dusk to Dawn, 2 Step dimming with motion sensor override, Solar Custom
Product colours	Black, Dark Grey, White, Matt Silver, Bronze, Concrete - Urban, Softscape - Urban, Stone - Urban, Corten - Urban, Oak - Woodland, Walnut - Woodland, Pine - Woodland
Weight	4.8 kg
Operating temperature	-20 °C to 40 °C
Lens / Reflector / Optic	Clear toughened glass, High-efficiency polycarbonate lens

POWERMISSION 2 PO29-GP041



Accessories



Remote solar charge controller for Solar Integrated Bollards and Vertical Solar PV poles
A92691



Vertical solar PV pole 3
SOL-20021



Vertical solar PV pole 4
SOL-20031



Vertical solar PV pole 5
SOL-20041

POWERMISSION 2 (P029-GP041-SO-30) (Version 1)



Vertical solar PV pole 7
SOL-20061



GPRS Module
A95591