

**POWERMISSION 2** (PO29-GP041-SO-40) (Version 1)**Product description**

Made to order for 40 W Vertical solar PV pole

**Luminaire Structure**

- Clear toughened glass
- High-efficiency polycarbonate lens

- Integral control gear

**Optic****T2****T3****T4****Product colour**

01 - Black (RAL 9011)

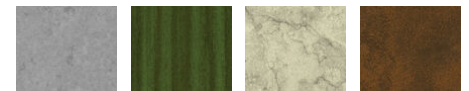
02 - Dark Grey (RAL 7043)

03 - White (RAL 9003)

05 - Matt Silver (RAL 9006)



06 - Bronze (RAL 6014)

**Special finishes upon request**

SU01 - Concrete - Urban

SU02 - Softscape - Urban

SU03 - Stone - Urban

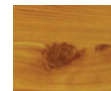
SU04 - Corten - Urban



SW01 - Oak - Woodland



SW02 - Walnut - Woodland



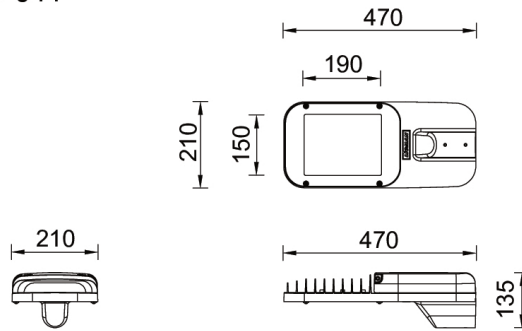
SW03 - Pine - Woodland

**POWERMISSION 2** (PO29-GP041-SO-40) (Version 1)

**Technical information**

<b>Material</b>	Aluminium	<b>Optic</b>	T2, T3, T4	<b>Product colours</b>	Black, Dark Grey, White, Matt Silver, Bronze, Concrete - Urban, Softscape - Urban, Stone - Urban, Corten - Urban, Oak - Woodland, Walnut - Woodland, Pine - Woodland
<b>Light source</b>	2 x 12 LED	<b>Optic value</b>	142°x53°, 141°x69°, 99°x79°	<b>Weight</b>	4.8 kg
<b>Power</b>	40 W	<b>CCT / CRI</b>	3000K CRI80, 4000K CRI80	<b>Operating temperature</b>	-20 °C to 40 °C
<b>Lumen</b>	4477 - 4961 lm	<b>Bug</b>	B1-U0-G1	<b>Lens / Reflector / Optic</b>	Clear toughened glass, High-efficiency polycarbonate lens
<b>Efficacy</b>	112 - 124 lm/W	<b>ULR</b>	0%	<b>MacAdam Ellipse</b>	3 SDCM
<b>Driver option</b>	Integral control gear	<b>ULOR</b>	0%	<b>Lifetime L90B10 (hours)</b>	> 90,000
<b>Driver</b>	Constant current (CC)	<b>ULOR</b>	0%	<b>Lifetime L80B10 (hours)</b>	> 90,000
<b>Input voltage</b>	Solar 36 VDC	<b>CIE flux code n°3</b>	97	<b>Lifetime L80B50 (hours)</b>	> 90,000
		<b>Dimming type</b>	Dusk to Dawn, 2 Step dimming with motion sensor override, Solar Custom		

**POWERMISSION 2**  
**PO29-GP041**



**Accessories**



Remote solar charge controller for Solar Integrated Bollards and Vertical Solar PV poles  
**A92691**



Vertical solar PV pole 3  
**SOL-20021**



Vertical solar PV pole 4  
**SOL-20031**



Vertical solar PV pole 5  
**SOL-20041**

**POWERMISSION 2** (P029-GP041-SO-40) (Version 1)



Vertical solar PV pole 7  
**SOL-20061**



GPRS Module  
**A95591**