

POWERMISSION 2 (P029-GP041-SO-60)**Product description**

Made to order for 60 W Vertical solar PV pole

**Luminaire Structure**

- Clear toughened glass
- High-efficiency polycarbonate lens

- Integral control gear

Optic**T2****T3****T4****Product colour**

01 - Black (RAL 9011)

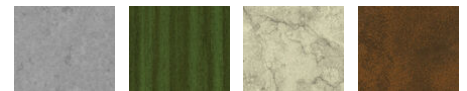
02 - Dark Grey (RAL 7043)

03 - White (RAL 9003)

05 - Matt Silver (RAL 9006)



06 - Bronze (RAL 6014)

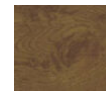
Special finishes upon request

SU01 - Concrete - Urban

SU02 - Softscape - Urban

SU03 - Stone - Urban

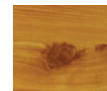
SU04 - Corten - Urban



SW01 - Oak - Woodland



SW02 - Walnut - Woodland



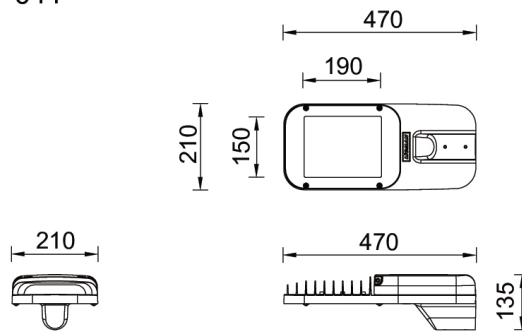
SW03 - Pine - Woodland

POWERMISSION 2 (PO29-GP041-SO-60)

Technical information

| | | | | | |
|----------------------|-----------------------|----------------------|-----------------------------|---------------------------------|--|
| Material | Aluminium | Input voltage | 830 mA, 72 VDC | CIE flux code n°3 | 97 |
| Light source | 24 LED | Optic | T2, T3, T4 | Dimming type | Dusk to Dawn, 2 Step dimming with motion sensor override, Solar Custom |
| Power | 60 W | Optic value | 142°x53°, 141°x69°, 99°x79° | Product colours | Black, Dark Grey, White, Matt Silver, Bronze, Concrete - Urban, Softscape - Urban, Stone - Urban, Corten - Urban, Oak - Woodland, Walnut - Woodland, Pine - Woodland |
| Lumen | 6511 - 7215 lm | CCT / CRI | 3000K CRI80, 4000K CRI80 | | |
| Efficacy | 109 - 120 lm/W | Bug | B1-U0-G1, B2-U0-G2 | | |
| Driver option | Integral control gear | ULR | 0% | Weight | 4.8 kg |
| Driver | Constant current (CC) | ULOR | 0% | Operating temperature | -20 °C to 40 °C |
| | | | | Lens / Reflector / Optic | Clear toughened glass, High-efficiency polycarbonate lens |

**POWERMISSION 2
PO29-GP041**



Accessories



Remote solar charge controller for Solar Integrated Bollards and Vertical Solar PV poles
A92691



Vertical solar PV pole 3
SOL-20021



Vertical solar PV pole 4
SOL-20031



Vertical solar PV pole 5
SOL-20041

POWERMISSION 2 (P029-GP041-SO-60)



Vertical solar PV pole 7
SOL-20061



GPRS Module
A95591