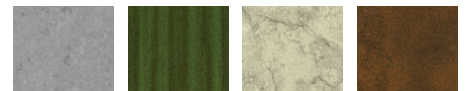


**POWERMISSION 2 (PO29-LM028)****Luminaire Structure**

- Single cable entry
- Clear toughened glass
- High-efficiency polycarbonate lens
- Integral control gear

**Optic****T2**      **T3**      **T4****Product colour****01 - Black (RAL 9011)**    **02 - Dark Grey (RAL 7043)**    **03 - White (RAL 9003)**    **05 - Matt Silver (RAL 9006)****06 - Bronze (RAL 6014)****Special finishes upon request****SU01 - Concrete - Urban**    **SU02 - Softscape - Urban**    **SU03 - Stone - Urban**    **SU04 - Corten - Urban****SW01 - Oak - Woodland**    **SW02 - Walnut - Woodland**    **SW03 - Pine - Woodland**

**POWERMISSION 2 (PO29-LM028)**

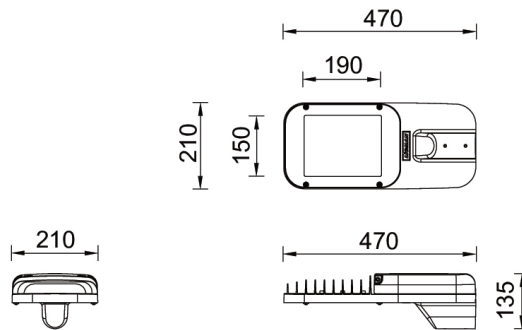
**Technical information**

<b>Material</b>	Aluminium
<b>Light source</b>	12 LED
<b>Power</b>	28 W
<b>Lumen</b>	3880 - 4351 lm
<b>Efficacy</b>	139 - 155 lm/W
<b>Driver option</b>	Integral control gear

<b>Driver</b>	Constant current (CC)
<b>Input voltage</b>	220-240 V 50/60 Hz
<b>Optic</b>	T2, T3, T4
<b>Optic value</b>	146°x54°, 140°x73°, 97°x75°
<b>CCT / CRI</b>	3000K CRI80, 4000K CRI80
<b>Dimming type</b>	On/Off, 1-10V, DALI

<b>Product colours</b>	Black, Dark Grey, White, Matt Silver, Bronze, Concrete - Urban, Softscape - Urban, Stone - Urban, Corten - Urban, Oak - Woodland, Walnut - Woodland, Pine - Woodland
<b>Weight</b>	4.7 kg
<b>Operating temperature</b>	-20 °C to 40 °C
<b>Through wiring</b>	Single cable entry
<b>Lens / Reflector / Optic</b>	Clear toughened glass, High-efficiency polycarbonate lens
<b>Variants (1-10V)</b>	Compatible with EN/ IEC 60598-2-22: Suitable for emergency installations as central supply, non-maintained (Z0)

**PO29-LM028**



**Accessories**

