

PARAGON 2 (PR-50011)



Product description

Square



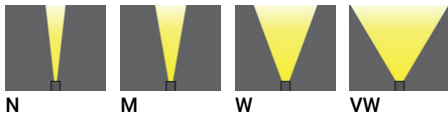
Luminaire Structure

- Extruded aluminium housing
- Pre-treated before powder coating ensuring high corrosion resistance
- Single cable entry

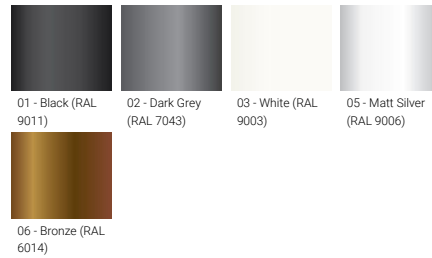
- Stainless steel fasteners in grade 304 with zinc flake coating (ZFC)
- Durable silicone rubber gasket
- High-efficiency optical reflector

- Clear toughened glass
- Integral control gear

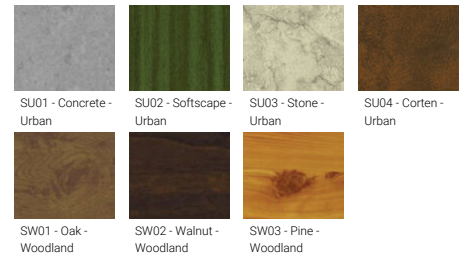
Optic



Product colour



Special finishes upon request

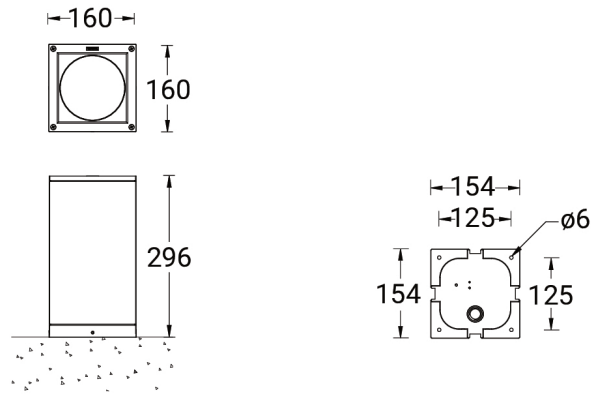


PARAGON 2 (PR-50011)

Technical information

Material	Aluminium	Optic value	13°, 20°, 40°, 61°	Through wiring	Single cable entry
Light source	1 COB	CCT / CRI	3000K CRI80, 4000K CRI80	Lens / Reflector / Optic	High-efficiency optical reflector, Clear toughened glass
Power	39 W	Bug	B0-U5-G0	MacAdam Ellipse	3 SDCM
Lumen	2768 - 3494 lm	ULR	100%	Lifetime L90B10 (hours)	> 50,700
Efficacy	71 - 90 lm/W	ULOR	100%	Lifetime L80B10 (hours)	> 63,500
Driver option	Integral control gear	Dimming type	On/Off, 1-10V, DALI	Lifetime L80B50 (hours)	> 63,500
Driver	Constant current (CC)	Product colours	Black, Dark Grey, White, Matt Silver, Bronze, Concrete - Urban, Softscape - Urban, Stone - Urban, Corten - Urban, Oak - Woodland, Walnut - Woodland, Pine - Woodland	Variants (1-10V, DALI)	Compatible with EN/ IEC 60598-2-22: Suitable for emergency installations as central supply, non-maintained (Z0)
Input voltage	220-240 V 50/60 Hz				
Optic	N, M, W, VW				
		Weight	2.6 kg		
		Operating temperature	-20 °C to 40 °C		

PR-50011



Accessories



Anti-glare visor
A51931



DALI Control System
Control-DALI