

POWERVISION 7 (PWV-80001-1MS)



Product description

With integrated motion sensor



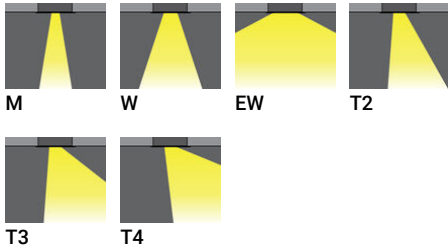
Luminaire Structure

- Extruded aluminium housing
- Pre-treated before powder coating ensuring high corrosion resistance
- Thermal heat dissipation body
- Single cable entry, through wiring upon request

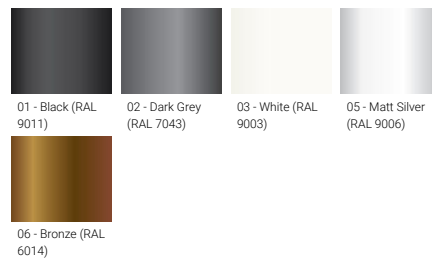
- One IP68 connector supplied with 0.2 m of 3x1.0 sqmm outdoor cable
- Stainless steel fasteners in grade 304 with zinc flake coating (ZFC)
- Durable silicone rubber gasket
- Clear toughened glass

- Integral control gear
- Stainless steel suspension kit in grade 304

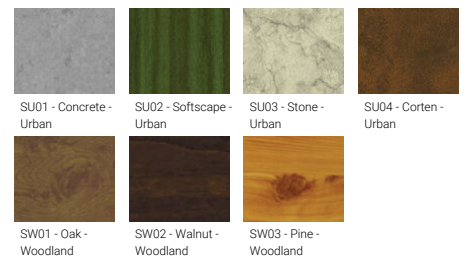
Optic



Product colour



Special finishes upon request

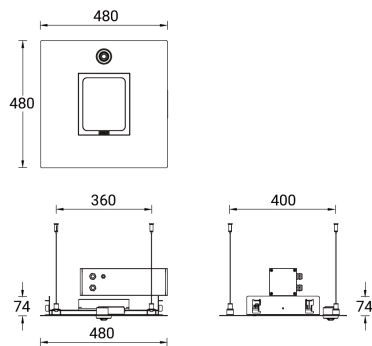


POWERVISION 7 (PWV-80001-1MS)

Technical information

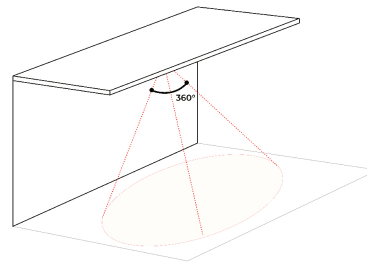
Material	Aluminium	Optic value	27°, 51°, 122°, 141°x52°, 141°x69°, 99°x79°	Operating temperature	-20 °C to 40 °C
Light source	24 LED	CCT / CRI	3000K CRI80, 4000K CRI80	Cable	One IP68 connector supplied with 0.2 m of 3x1.0 sqmm outdoor cable
Power	38 W	Bug	B1-U0-G1, B2-U0-G0, B3-U0-G0	Through wiring	Single cable entry, through wiring upon request
Lumen	4272 - 4941 lm	ULR	0%	Lens / Reflector / Optic	Clear toughened glass
Efficacy	112 - 130 lm/W	ULOR	0%	MacAdam Ellipse	3 SDCM
Driver option	Integral control gear	CIE flux code n°3	97, 98, 99	Lifetime L90B10 (hours)	> 90,000
Driver	Constant current (CC)	Dimming type	1-10V	Lifetime L80B10 (hours)	> 90,000
Input voltage	220-240 V 50/60 Hz	Product colours	Black, Dark Grey, White, Matt Silver, Bronze, Concrete - Urban, Softscape - Urban, Stone - Urban, Corten - Urban, Oak - Woodland, Walnut - Woodland, Pine - Woodland	Lifetime L80B50 (hours)	> 90,000
Optic	M, W, EW, T2, T3, T4			Variants (1-10V)	Compatible with EN/ IEC 60598-2-22: Suitable for emergency installations as central supply, non-maintained (Z0)
		Weight	6.5 kg		

PWV-80001-1MS



POWERVISION

Adjustable sensor (30 seconds – 30 minutes)
 360° Sensitivity
 Sensor detection area: 12.2 m
 Mounting height: 6.1 m



Accessories



Remote controller for the motion sensor - 1-10V (A90191)

A90791