

POWERVISION 8 (PWV-80011-1MS)



Product description

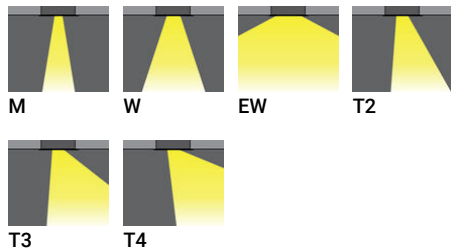
With integrated motion sensor



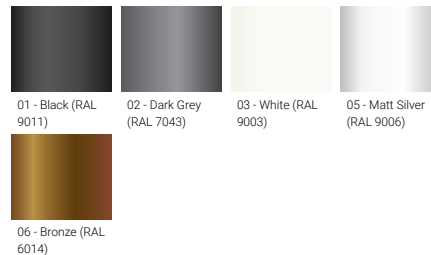
Luminaire Structure

- Extruded aluminium housing
- Pre-treated before powder coating ensuring high corrosion resistance
- Thermal heat dissipation body
- Single cable entry, through wiring upon request
- One IP68 connector supplied with 0.2 m of 3x1.0 sqmm outdoor cable
- Stainless steel fasteners in grade 304 with zinc flake coating (ZFC)
- Durable silicone rubber gasket
- Clear toughened glass
- Integral control gear
- Stainless steel suspension kit in grade 304

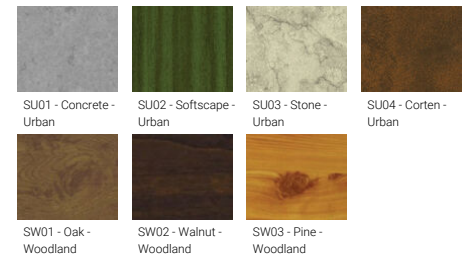
Optic



Product colour



Special finishes upon request



POWERVISION 8 (PWV-80011-1MS)

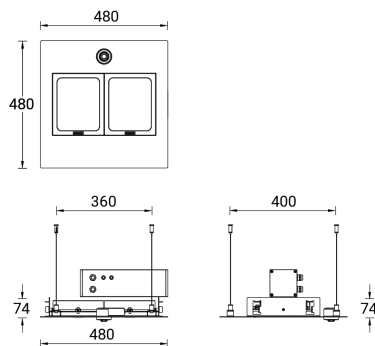
Technical information

Material	Aluminium
Light source	48 LED
Power	75 W
Lumen	8543 - 9882 lm
Efficacy	114 - 132 lm/W
Driver option	Integral control gear
Driver	Constant current (CC)
Input voltage	220-240 V 50/60 Hz
Optic	M, W, EW, T2, T3, T4

Optic value	27°, 51°, 122°, 141°x52°, 141°x69°, 99°x79°
CCT / CRI	3000K CRI80, 4000K CRI80
Bug	B2-U0-G1, B2-U0-G2, B3-U0-G0, B4-U0-G0, B4-U0-G1
ULR	0%
ULOR	0%
CIE flux code n°3	97, 98, 99
Dimming type	1-10V
Product colours	Black, Dark Grey, White, Matt Silver, Bronze, Concrete - Urban, Softscape - Urban, Stone - Urban, Corten - Urban, Oak - Woodland, Walnut - Woodland, Pine - Woodland
Weight	11 kg

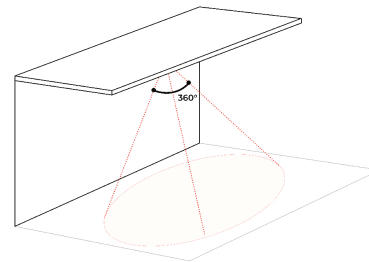
Operating temperature	-20 °C to 40 °C
Cable	One IP68 connector supplied with 0.2 m of 3x1.0 sqmm outdoor cable
Through wiring	Single cable entry, through wiring upon request
Lens / Reflector / Optic	Clear toughened glass
MacAdam Ellipse	3 SDCM
Lifetime L90B10 (hours)	> 90,000
Lifetime L80B10 (hours)	> 90,000
Lifetime L80B50 (hours)	> 90,000
Variants (1-10V)	Compatible with EN/ IEC 60598-2-22: Suitable for emergency installations as central supply, non-maintained (Z0)

PWV-80011-1MS



POWERVISION

Adjustable sensor (30 seconds – 30 minutes)
 360° Sensitivity
 Sensor detection area: 12.2 m
 Mounting height: 6.1 m



Accessories



Remote controller for the motion sensor - 1-10V (A90191)

A90791