

**POWERVISION 8 (PWV-80012-1MS)**



**Product description**

With integrated motion sensor



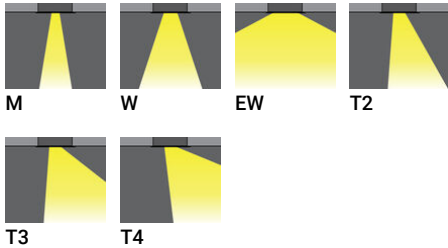
**Luminaire Structure**

- Extruded aluminium housing
- Pre-treated before powder coating ensuring high corrosion resistance
- Thermal heat dissipation body
- Single cable entry, through wiring upon request

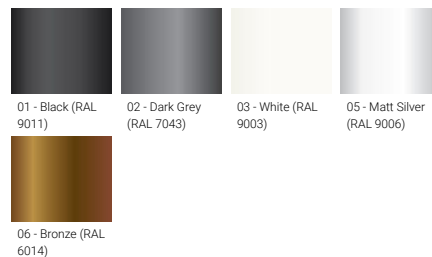
- One IP68 connector supplied with 0.2 m of 3x1.0 sqmm outdoor cable
- Stainless steel fasteners in grade 304 with zinc flake coating (ZFC)
- Durable silicone rubber gasket
- Clear toughened glass

- Integral control gear
- Stainless steel suspension kit in grade 304

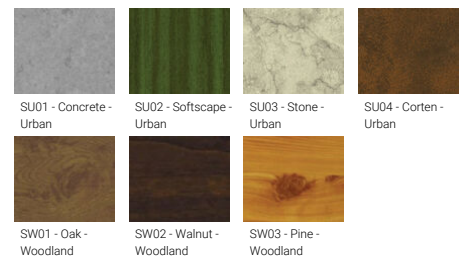
**Optic**



**Product colour**



**Special finishes upon request**



**POWERVISION 8 (PWV-80012-1MS)**

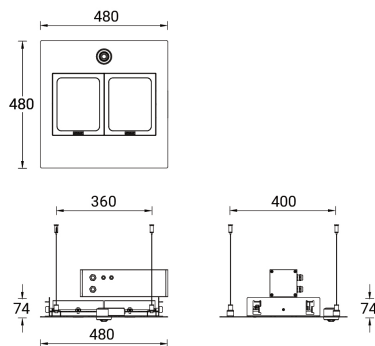
**Technical information**

<b>Material</b>	Aluminium
<b>Light source</b>	48 LED
<b>Power</b>	106 W
<b>Lumen</b>	11561 - 13310 lm
<b>Efficacy</b>	109 - 126 lm/W
<b>Driver option</b>	Integral control gear
<b>Driver</b>	Constant current (CC)
<b>Input voltage</b>	220-240 V 50/60 Hz
<b>Optic</b>	M, W, EW, T2, T3, T4

<b>Optic value</b>	27°, 51°, 122°, 141°x52°, 141°x69°, 99°x79°
<b>CCT / CRI</b>	3000K CRI80, 4000K CRI80
<b>Bug</b>	B2-U0-G2, B3-U0-G1, B3-U0-G3, B4-U0-G1
<b>ULR</b>	0%
<b>ULOR</b>	0%
<b>CIE flux code n°3</b>	97, 98, 99
<b>Dimming type</b>	1-10V
<b>Product colours</b>	Black, Dark Grey, White, Matt Silver, Bronze, Concrete - Urban, Softscape - Urban, Stone - Urban, Corten - Urban, Oak - Woodland, Walnut - Woodland, Pine - Woodland
<b>Weight</b>	11 kg

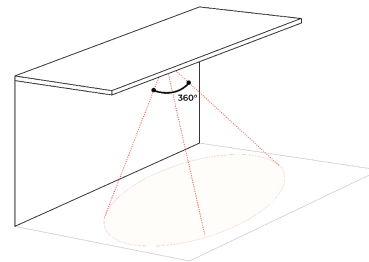
<b>Operating temperature</b>	-20 °C to 40 °C
<b>Cable</b>	One IP68 connector supplied with 0.2 m of 3x1.0 sqmm outdoor cable
<b>Through wiring</b>	Single cable entry, through wiring upon request
<b>Lens / Reflector / Optic</b>	Clear toughened glass
<b>MacAdam Ellipse</b>	3 SDCM
<b>Lifetime L90B10 (hours)</b>	> 90,000
<b>Lifetime L80B10 (hours)</b>	> 90,000
<b>Lifetime L80B50 (hours)</b>	> 90,000
<b>Variants (1-10V)</b>	Compatible with EN/ IEC 60598-2-22: Suitable for emergency installations as central supply, non-maintained (Z0)

PWV-80012-1MS



**POWERVISION**

Adjustable sensor (30 seconds - 30 minutes)  
 360° Sensitivity  
 Sensor detection area: 12.2 m  
 Mounting height: 6.1 m



**Accessories**



Remote controller for the motion sensor - 1-10V (A90191)

**A90791**