

QUANTUM 2 (QA-21025)



Product description

1 side - RGBW



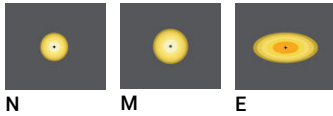
Luminaire Structure

- Die-cast aluminium housing
- Pre-treated before powder coating ensuring high corrosion resistance
- Single cable entry
- One cable gland supplied with 0.5 m of 3x1.0 sqmm outdoor cable

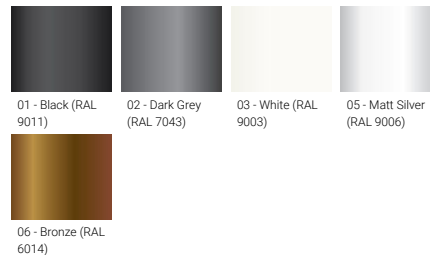
- Stainless steel fasteners in grade 304 with zinc flake coating (ZFC)
- Durable silicone rubber gasket
- High-efficiency PMMA lens
- Clear toughened glass

- Integral control gear
- Surge protection 10kV

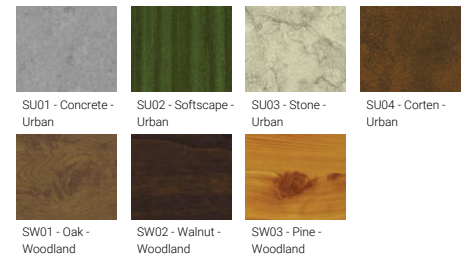
Optic



Product colour



Special finishes upon request



QUANTUM 2 (QA-21025)

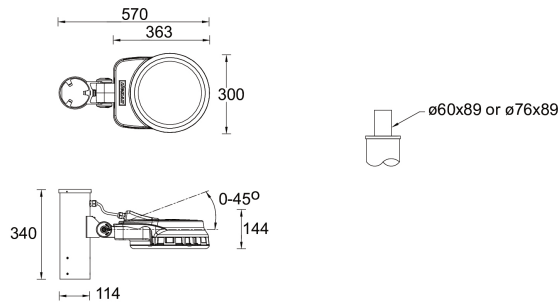
Technical information

Material	Aluminium
Light source	18 LED
Power	77 W
Lumen	2900 - 3580 lm
Efficacy	38 - 46 lm/W
Driver option	Integral control gear
Driver	Constant current (CC)
Input voltage	220-240 V 50/60 Hz
Optic	N, M, E

Optic value	20°, 35°, 25° x 48°
CCT / CRI	RGBW30, RGBW40
Bug	B3-U1-G0
ULR	0%
ULOR	0%
CIE flux code n°3	100
Dimming type	DMX, DMX/RDM
Product colours	Black, Dark Grey, White, Matt Silver, Bronze, Concrete - Urban, Softscape - Urban, Stone - Urban, Corten - Urban, Oak - Woodland, Walnut - Woodland, Pine - Woodland
Weight	10.8 kg

Operating temperature	-20 °C to 40 °C
Cable	One cable gland supplied with 0.5 m of 3x1.0 sqmm outdoor cable
Through wiring	Single cable entry
Lens / Reflector / Optic	High-efficiency PMMA lens, Clear toughened glass
MacAdam Ellipse	7 SDCM
Lifetime L90B10 (hours)	> 15,000
Lifetime L80B10 (hours)	> 31,000
Lifetime L80B50 (hours)	> 34,000
Variants (DMX/RDM)	Compatible with EN/ IEC 60598-2-22: Suitable for emergency installations as central supply, non-maintained (ZO)

QA-21025



Accessories



DMX Control System
Control-DMX



DMX/RDM Control System
Control-DMX-RDM